

Jacobsen MP653 ROPS Cab

** Shown with optional components



Jacobsen MP653 ROPS Cab

This ROPS cab is designed and built to fit the Jacobsen MP653.

Designed and Built by:

Tektite Manufacturing Inc:

24157 Hwy 3

P.O. Box 639

Winkler, MB

R6W 4A8

Canada

PH: 204-331-3463

Fax: 204-331-4159

sales@tektite.ca

One year standard product warranty provided by Tektite.



Caution

** Please read installation instructions and follow all safety statements before attempting to install this product.

** This ROPS cab is heavy. An over-head hoist or high lift forklift will be needed to lift this cage over the machine. It is recommended that a minimum of two people participate during the installation procedure.

** A copy of this installation manual should be kept with the machine operating manuals.

Tektite Manufacturing Incorporated thanks you for purchasing a Jacobsen MP653 ROPS cab! Tektite has worked very hard to design and build this ROPS product and we hope that it provides you with many years of protection.

Tektite's products are designed to provide safe and dependable service during operation when they are properly maintained according to the instructions. Please read this installation manual carefully before installing and using this product.

The photos/illustrations provided in this manual may not provide all the detail needed, and are for reference only.

All directions provided are from the reference point of the tractor seat facing the steering wheel. All left and right references are from this view point.

For reference, please fill in the information below. This will assist your dealer in providing service for this product. It is advisable that this information be provided to your insurance company as well in the event that the tractor is lost or damaged.

Vehicle Model: _____

Tektite Serial Number: _____

Date of Purchase: _____

Dealer Name: _____

Standard Parts List:

Description	Qty
Bolt, Hex, 5/8" x 3", Gr. 8, YD	2
Nut, Flange, 5/8", Gr. 8, YD	2
Washer, Heavy, 1/4" Flat	2
Bolt, Hex, 1/2" x 4 1/2"	2
Isolator (pre-installed)	2
Bolt, Flange, M8 x 20	2
Wire Connector, Loop, Yellow, 1/2"	1
Wire Connector, Loop, Yellow, 1/4"	1
Zip Ties, Standard	6
NDAX, 3/8" x 3/4"	11 FT
Cab Lift Brackets	2
Screw, Self Tap, #12 x 1-1/4"	2
Bolt, Flange, M8 x 30	2
Rear Brackets	L&R
Step (traction tape pre-installed)	1

Optional Parts List Console Mount Turn Signals:

Description	Qty
Conduit Clamp	1
Screw, Philips, # 8 x 1"	1
Washer, Flat, Small, 1/8"	1

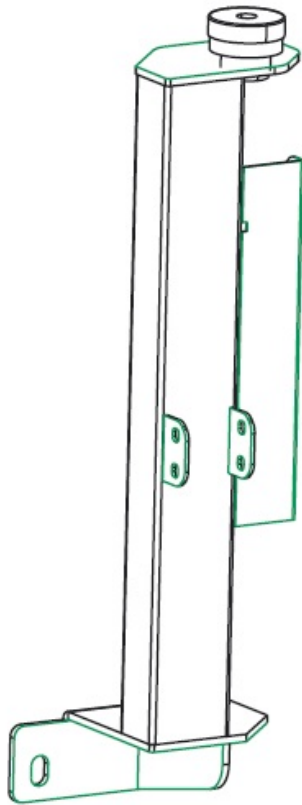
Optional Parts List Heater:

Description	Qty
Heater Bypass Kit	1
Hose Clamp, HS-6	2
Heater Hose (pre-installed), 3/8" ID	30 FT

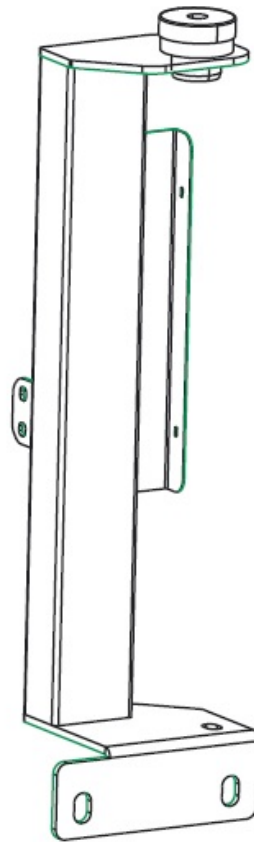
Optional Parts List Air Conditioning:

Description	Qty
Bolt, Hex, M10 x 100 FULL THREAD, Gr. 8.8	1
Nut, Flange, M10, Gr. 8.8	1
Bolt, Hex, M8 x 20, Gr. 8.8	2
Alternator Mount Bracket	1
Alternator Tensioning Bracket	1
Compressor Mount Tube Spacer (2 3/8")	1

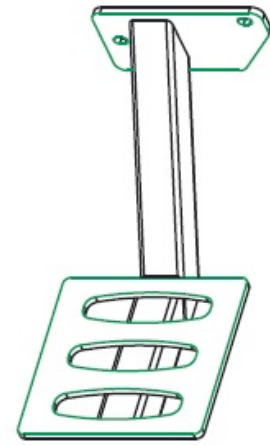
Bolt, Hex, 3/8" x 4", Gr. 5	1
Nut, Flange, 3/8", Gr. 5, YD	2
Bolt, Hex, 3/8" x 2", Gr. 5	1
Compressor, Top Port	1
Main Drive Belt, 31/64" x 44 7/8"	1
Short Alternator Belt, 1/2" x 22"	1
Zip Ties, Standard	6
Female Bullet, Blue	1
Nut, Flange, 5/16", Gr. 5, YD	1
Bolt, Hex, 5/16" x 4", Gr. 5	1



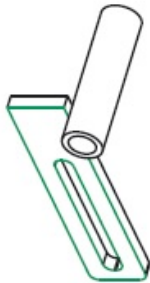
Left Rear
Bracket Weldment



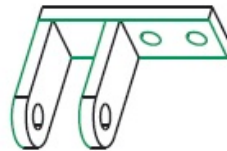
Right Rear
Bracket Weldment



Step Bracket
Weldment



Alternator
Stiffener
Bracket



Alternator
Mount Weldment



Compressor
Spacer Tube
2 3/8" Long

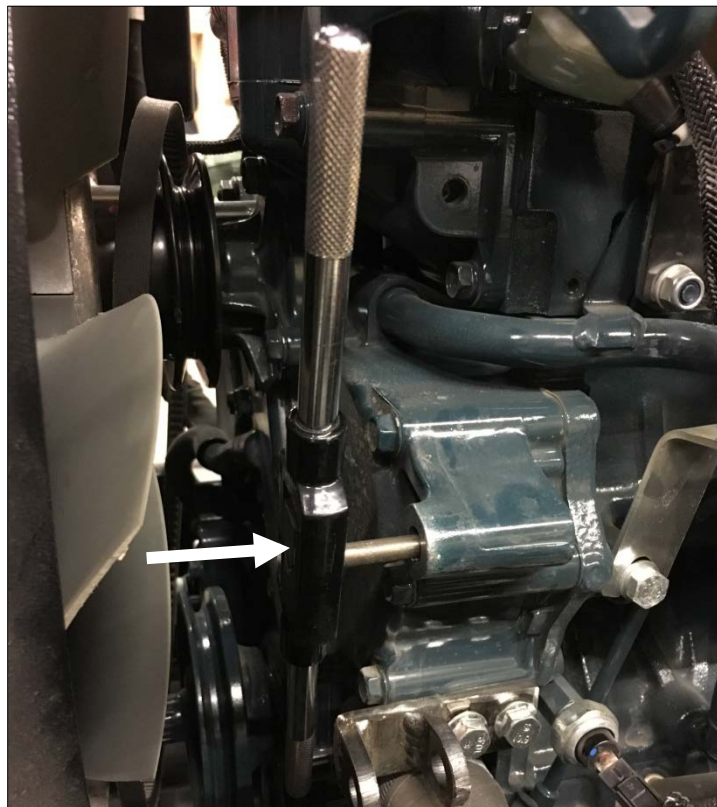
For cabs equipped with Air Conditioning Option, the following steps can be performed before the cab is installed. Park the machine in a well ventilated location with access to fork lift or over-head hoist. Disconnect battery ground before starting cab installation.

Air Conditioning Install Instructions:

1. Un-bolt and remove the tractor alternator, spacer, fasteners and guard. Remove over flow tank.



2. Use a long M10 x 1.5 thread tap, and run it through the alternator pivot to change the thread pitch.

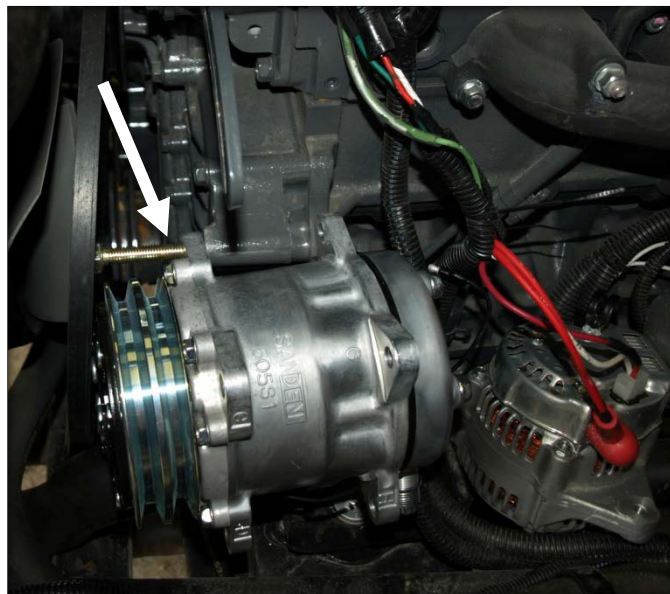


3. Take the alternator mount bracket and fasten to the engine block with the provided M8 x 20 mm hex bolts.

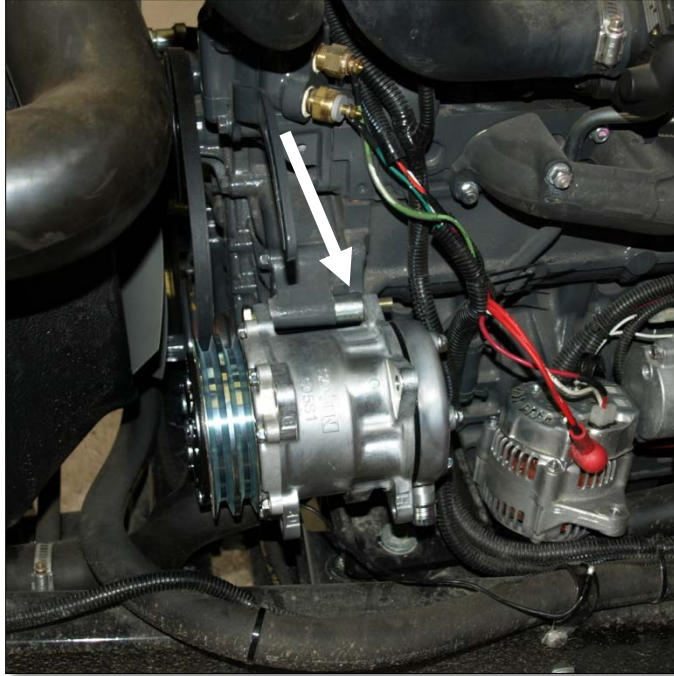


4. Remove the main drive belt and replace with the provided new main drive belt, 31/64" x 44 7/8".

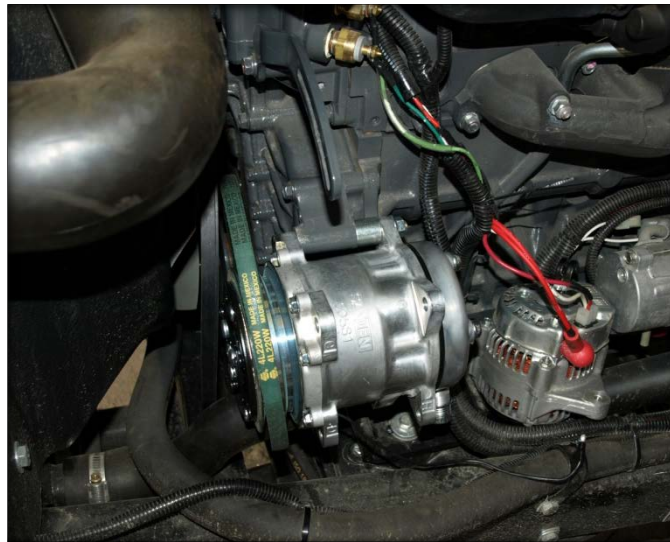
5. Insert the compressor over the alternator mount with the fill ports at the rear, so that when tensioned, the compressor will have the ports on the outside. Use photo below for proper orientation. Take the full thread, M10 x 100 hex bolt and begin threading into mount port.



6. Tighten until the bolt approaches the outside of the block, then insert the alternator spacer removed earlier (13/16" in length). Continue to install the bolt until it comes out the other end of the compressor mounting ear, but DO NOT fully tighten yet.



7. Slip the short belt, 1/2" x 22", over the compressor.



8. Install the nut at the end of the compressor bolt and loosely tighten only.

9. Slip main drive belt, 31/64" x 44 7/8", over the compressor. Note, initially this belt will be very snug.



10. Install the tube spacer (2 3/8" length) between the top tensioner plate and the rear compressor ears. Use the provided 5/16" x 4" hex bolt to slide through the ears, plate and tube. Note, it is snug and it may fit tightly. Loosely fasten this nut only.

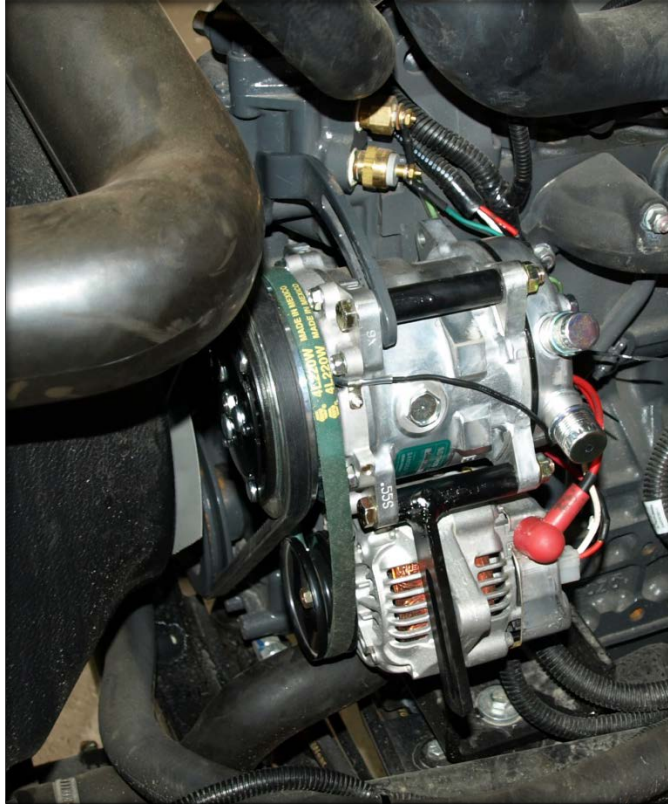


11. Pull the compressor down as far as possible to tension belt. Tighten the M10 x 100 bolt first, then tighten the 3/8" x 4" belt second.

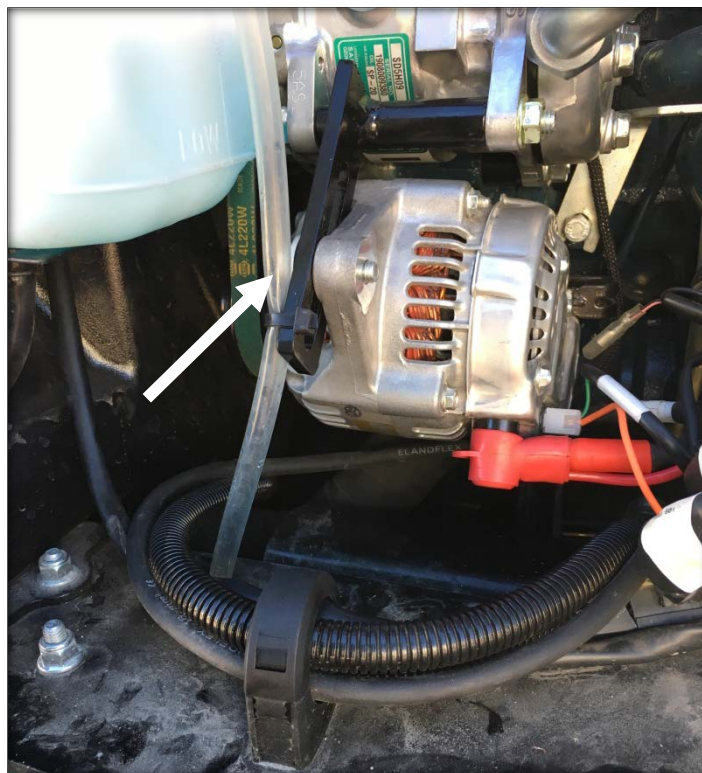
12. Take the alternator and the provided 3/8" x 2" hex bolt and nut and fasten the alternator to the mounting bracket installed earlier. Hand tighten only!



13. Take the provided tensioner bracket for the alternator, and slide between the compressor ears and loosely fasten into place with the 3/8" x 4" hex bolt and nut provided.



14. Use the original alternator tensioning bolt for the tensioning fastener location.



15. Apply belt tension, and then tighten the 3/8" x 2" bolt.

16. Re-install over flow bottle.

Please proceed with the cab installation now.

Cab Installation Instructions:

1. Un-bolt and remove the upper hoop of the 2-post ROPS. Let the fuel breather tube hang to the side.

2. Un-bolt and remove the left lower 2-post ROPS member from the mower. It will be necessary to drain the hydraulic tank and move forward to provide enough clearance to get at all of the fasteners.

3. Take the left rear bracket and bolt to the chassis where the left lower 2-post ROPS member was fastened. Please note, one of the fasteners will need to be replaced on the chassis as it is not used on the cab bracket. Tighten bracket



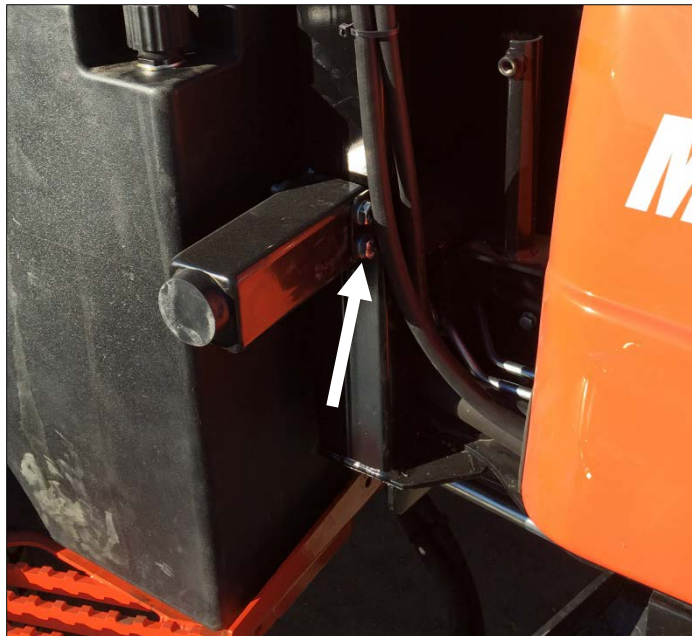
4. Re-fasten hydraulic tank to chassis and re-fill.

5. Un-bolt and remove the right lower 2-post ROPS member from the mower. It will be necessary to loosen the right tank pod a little to get at all fasteners.

6. Take the right rear bracket and bolt to the chassis where the right lower 2-post ROPS member was fastened. One fastener just needs to be re-installed on chassis, the cab bracket does not re-use it. Tighten bracket.



7. From the left lower 2-post ROPS member, un-bolt and remove the deck stop bracket tubular member. Fasten to the left cab bracket with the factory hardware.



8. From the right lower 2-post ROPS member, un-bolt and remove the deck stop bracket tubular member. Fasten to the right cab bracket with the factory hardware.

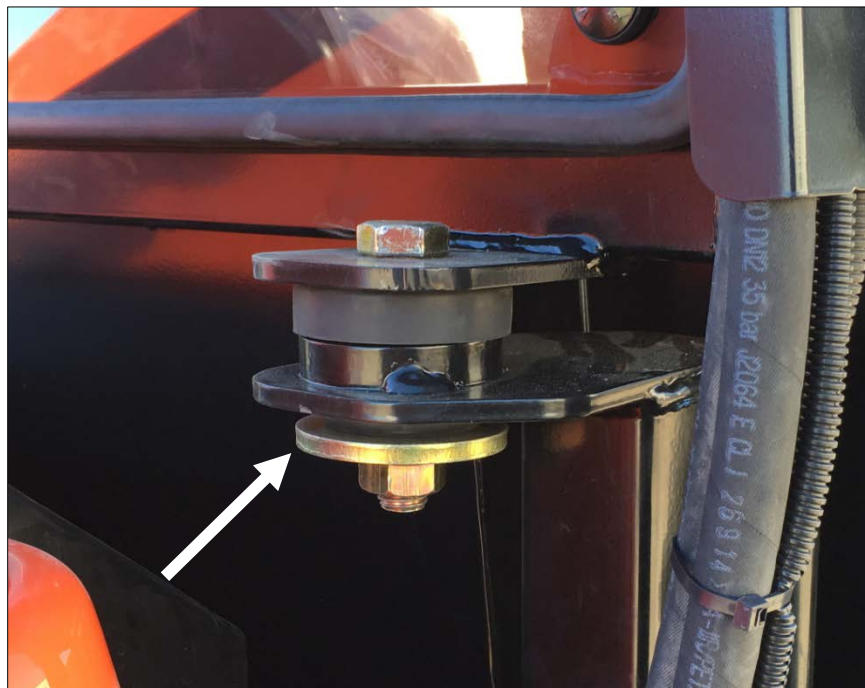


9. Remove the front two operator platform fasteners, M12 x 120 hex bolts.

10. Return to the cab next to install the lift brackets. To remove the gas shock on the left cab door, slide a flat screwdriver underneath the small clip on the end of the cap. It **MUST** be pulled UP in order to pop the shock off of the ball stud. **The shock will release very easily when this is accomplished.** Lift the door assembly straight up and off of the cab and put aside for now. Remove the right door as well.



11. Take the provided cab lift brackets and the 1/2" x 4 1/2" hex bolts and attach a lift bracket to each weld nut located at the top rear of the door opening on both the left and right sides.
12. Attach a lift strap or chain to both of the lift brackets and connect to an overhead hoist or forklift. Un-bolt the shipping brackets from the cab and lift cab straight up and off of the shipping pallet.
13. Position the cab directly over the mower and slowly lower down until the rubber isolators contact the frame at the rear, and the cab mount plates at the front line up with the chassis mounting points.
14. Use the factory original M12 x 120 hex bolts for the front platform isolators. For the rear mounts, use the provided 5/8" x 3" hex bolts, heavy flat washer, and flange nuts. See photo below for proper alignment of fasteners.



15. Get all bolts started before applying any final torques.
16. Un-bolt and remove lift strap/chain.
17. Un-bolt and remove both cab lift brackets. Store if you intend to remove cab in future.
18. Take the provided step bracket and M8 x 20 fasteners. Go to left front of operator platform and fasten the step to the threaded panel nuts installed in chassis.

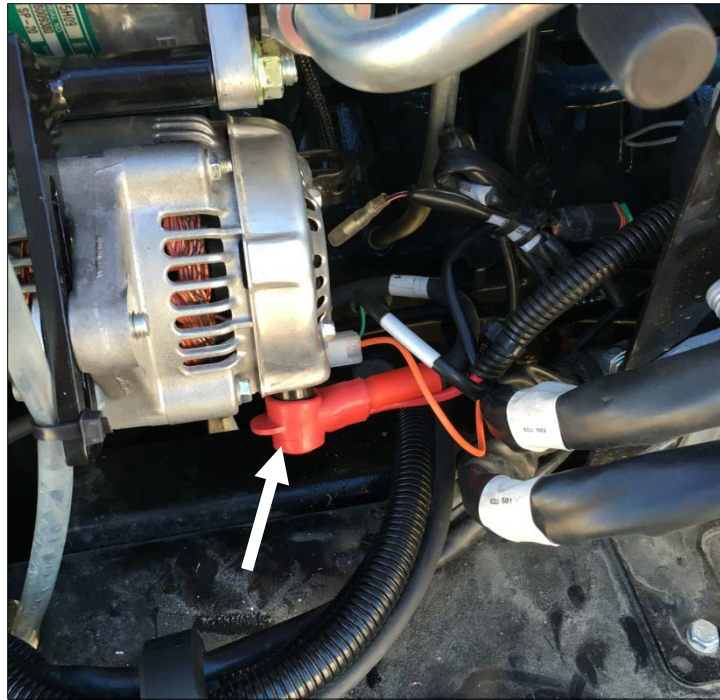


19. Route the main power harness on the back right corner of the cab down the baffle provided on the rear bracket and down into the hood area towards the alternator.

20. Connect the heavy black 10 GA wire to the tractor ground at the back of the starter mount plate as shown below. Use the provided 1/2" loop connector. Shorten wire if necessary, then solder connector to wire.



21. Connect the heavy red 10 GA wire to constant 12v power as shown below. Use the provided 1/4" loop connector. Shorten the wire if necessary, then solder wire to connector.



22. Take the orange wire and connect to a key switch activated source on the engine, as shown below. Solder this wire directly to the wire on the engine. Reconnect battery ground now and verify power system is working properly.



23. Route the heater hoses on the back left side of the cab down along the baffle at the back of the left rear bracket and down into the engine bay. Use provided zip ties to secure to the baffle.

24. Drain engine coolant.

25. Locate and remove the bypass on the thermostat housing.



26. Take the provided bypass assembly and connect one end of the 1/2" ID heater hose to one of the open ports of the bypass fitting just removed with factory hardware.

27. Connect the other side of the bypass assembly to the remaining open bypass port with factory hardware.

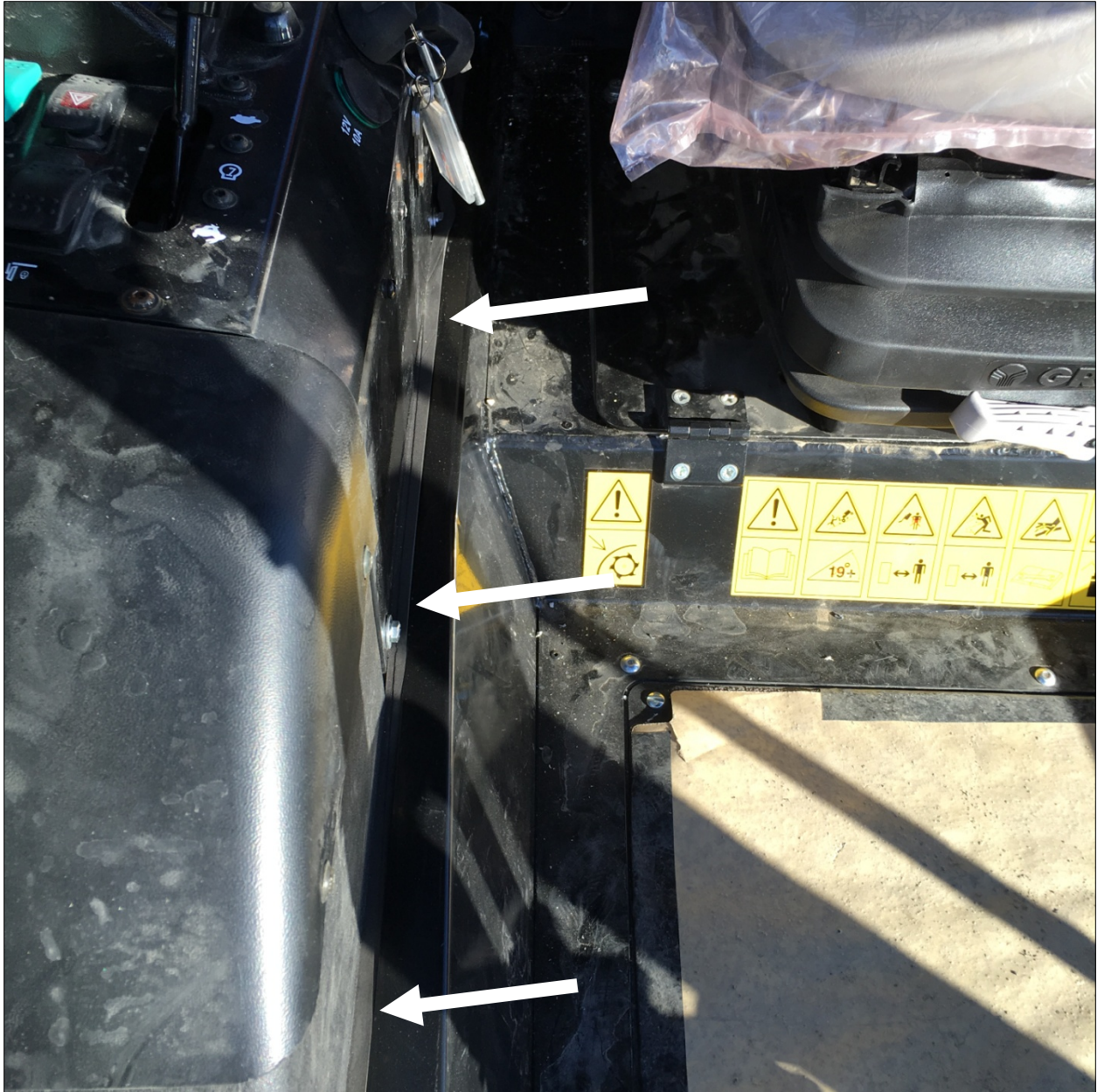
28. Route the heater hoses to the open end 3/8" barb fittings on the bypass assembly. Ensure they are away from hot surfaces and moving parts, use zip ties to keep in place. Cut hoses if necessary, and connect both the bypass fittings with the provided HS-6 hose clamps.



29. Ensure all fittings are tight, then re-fill engine coolant. Open radiator cap to allow air bubbles to get out of system.

30. Go to the cab and start engine. Turn on the fan to high speed. Ensure that the heater control is set to maximum heat side to fully open water valve in cab. Run engine at high RPM speed to get thermostat to cycle. Continue adding engine coolant while the thermostat cycles and HOT air blows out of the cab louvers.

31. Take the provided 3/8" x 3/4" NDAX and install between the right side tank and the floorboard.



32. Un-bolt seat platform and pivot forward. Install remaining 3/8" x 3/4" NDAX around bottom of seat plate. Use provided M8 x 30 flange bolts and re-bolt seat plate to platform.

33. Take the provided #12 x 1-1/4" self tap screws and bolt tank breather to right rear bracket.



Jacobsen MP653 ROPS Cab

** Shown with optional equipment



Jacobsen MP653 ROPS Cab

This ROPS cab is designed and built to fit the Jacobsen MP653.

Designed and Built by:

Tektite Manufacturing Inc:

24157 Hwy 3

P.O. Box 639

Winkler, MB

R6W 4A8

Canada

PH: 204-331-3463

Fax: 204-331-4159

sales@tektite.ca

One year standard product warranty provided by Tektite.



Caution

** Please read installation instructions and follow all safety statements before attempting operating this ROPS product.

** A copy of this operator manual should be kept with the machine operating manuals.

** If this manual is lost, please contact your local Jacobsen dealer for a replacement.

Tektite Manufacturing Incorporated thanks you for purchasing a Jacobsen MP653 ROPS cab! Tektite has worked very hard to design and build this ROPS product and we hope that it provides you with many years of ROPS protection.

Tektite's ROPS products are designed to provide safe and dependable service during operation when they are properly maintained according to the instructions. Please read this operator manual carefully before using this ROPS product.

The photos/illustrations provided in this manual may not provide all the detail needed, and are for reference only.

All directions provided are from the reference point of the tractor seat facing the steering wheel. All left and right references are from this view point.

For reference, please fill in the information below. This will assist your dealer in providing service for this ROPS. It is advisable that this information be provided to your insurance company as well in the event that the tractor is lost or damaged.

Vehicle Model: _____

ROPS Serial Number: _____

Date of Purchase: _____

Dealer Name: _____

Limited Warranty

Tektite Manufacturing Inc. (Tektite) warrants to the original purchaser (the "Claimant"), that Tektite products will be free from defective materials or workmanship, under normal use and service, for a period of (1) full year (or 1500 hours, whichever is less) from the original invoice date. Tektite's liability under this Limited Warranty is limited to the repair or (at the discretion of Tektite) the replacement of those components of its products, which were manufactured by Tektite that are defective in materials or workmanship. Tektite shall have no liability under this Limited Warranty unless Tektite is notified of the defect during the stated Warranty Period.

All returns require a Returned Material Authorization Number (RMA#). Warranty claims must be submitted to Tektite at 1-204-331-3463 prior to written authorization. All warranty work not pre-authorized by Tektite will not be covered by this warranty agreement. Claimant must arrange shipping of the returned and repaired or replaced product or component from Tektite plant in Winkler, Manitoba at the Claimant's own risk and expense. Tektite must receive all returns within (30) days of issuance of a RMA#. Limitations and Exclusions: Tektite has no responsibility to a Claimant under this Limited Warranty or on any other basis for any of the following:

- a) defects caused, in whole or in part, by accident or misuse, negligence or failure to maintain the product or component ;
- b) products or components sold to a customer on an "as is" basis;
- c) wiper blades, light bulbs, fuses, clear vinyl or other consumables;
- d) glass where the point of failure has not been preserved intact and delivered to Tektite for analysis of the cause of the failure;
- e) products or components which have been modified after shipping from Tektite to its customer;
- f) transportation charges for returned, repaired or replacement items;
- g) defects that are subject of an Tektite initiated recall where the Claimant fails to comply with the terms of the recall notice that comes to the attention of the Claimant;
- h) components of Tektite products that are manufactured by third parties (Tektite's only obligation in relation to such components shall be to accord to the Claimant the benefit of any transferable warranty accorded to Tektite by third party manufacturer);
- i) defects in workmanship or materials in products or components that are repaired or replaced by Tektite unless Tektite is notified of the new defect within the Warranty Period that applied to the original product or component that has been repaired or replaced;
- j) defects that result, in whole or in part, from inadequate engineering or specifications provided to Tektite by its customer;
- k) any actual or alleged deficiency in technical or engineering services or advice provided by Tektite to its customer whether provided for valuable consideration or otherwise;
- l) consequential damages, or any other damages whether foreseeable or not, resulting from the defect or any delay in remedying the defect; and
- m) any breach or alleged breach of any implied warranty of merchantability or fitness for particular purpose of use;
- n) defects or part failure due to misuse or failure to follow recommended cab installation procedures;
- o) travel expenses, including mileage.

This Limited Warranty expresses the entire obligation of Tektite, its officers, directors, agents and employees, to its customer or any Claimant in respect of any defect in workmanship, or materials of any product or component sold or manufactured by Tektite whether on grounds of breach of contract, negligence or other tortious liability, breach of express or implied warranty or other basis in law of any jurisdiction.

Acceptance by a customer of delivery of products of Tektite constitutes acceptance of this Limited Warranty in lieu of all other warranties express or implied including without limitation all implied warranties of merchantability or fitness for particular purpose or use and constitutes acceptance by customer of the exclusions and limitations of the liability of Tektite set out above.

*Labor rate fixed at a maximum of \$75.00 per hour (U.S.) and \$75.00 per hour (CDN) based on Tektite determination of applicable hours.

Safety Precautions

Safety First

Read these instructions carefully. It is essential that you read the instructions and safety regulations before you attempt to assemble or use the features that are on this cab/ROPS.

Danger: Indicates an immediate hazardous situation which, if not avoided, will result in death or serious injury.

Warning: Indicates a potentially hazardous situation which, if not avoided, may result in death or serious injury.

Caution: Indicates a potentially hazardous situation which, if not avoided, may result in minor or moderate injury.

Caution: Raising wing decks with side doors and side windows open can cause door glass to break!

Important: Indicates that cab or property damage may result if instructions are not carefully followed.

NOTE: All products are designed to give safe, dependable service if they are operated and maintained according to instructions. It is the owner's responsibility to be certain anyone operating this product reads this manual, and all other applicable manuals, to become familiar with this cab and all safety precautions. Failure to do so could result in serious personal injury or cab damage. If you have any questions, consult your dealer. Read and understand this manual before operation.

NOTE: A safe operator is the best assurance against accidents. All operators, no matter how experienced they may be, should read this operator manual and all other related manuals before attempting to operate features in this cab/ROPS and operate the base tractor. Please read the following section and pay particular attention to all safety recommendations contained in this manual and those labelled on the cab and on the tractor.

General Safety

1. Never let an unqualified or untrained driver operate the mower.
2. Keep a fire extinguisher, with ABC rating securely fastened in the ROPS. Maintain it and be familiar with its use.
3. Do not carry passengers.
4. Never operate the mower in a closed building for a prolonged period. Ensure adequate ventilation is present, as engine exhaust fumes are poisonous and can kill.
5. Always keep sleeves, jackets or other loose clothing relatively tight and belted. Loose clothing may catch on moving parts and result in severe personal injury or death.
6. Provide a first-aid kit, securely attached inside of the ROPS for use in case of accident.
7. Never jump from the mower. There is a danger of tripping or falling on protruding parts.
8. Use steps and hand holds when mounting and dismounting the mower, or for servicing components too high to reach from the ground.
9. When seated in the ROPS, fasten seat belt before starting the engine. A proper seat belt must be worn at all times when using a ROPS.
10. Safety devices and shields are intended to protect operators from injury or death. Under no circumstances should they be modified, disabled or removed.

Operating Safety

1. Always operate the mower controls while sitting in the operator's seat.
2. Lock seat in position and buckle seat belt before operating the mower.
3. Avoid abrupt sharp turns at high speeds.
4. On sloped terrain, do not make sharp turns as machine stability could be compromised.
5. Operate the mower smoothly, avoid abrupt starts and stops.
6. Keep all shields in place when operating the mower.
7. Do not operate the mower when you are tired, sick, or impaired.
8. Never operate the mower in confined areas; visibility next to the tractor is reduced. Injury to bystanders or damage to the ROPS or equipment may result.

Safety

Carefully review the procedures given in this manual and the mower operator's manual with all operators annually. It is important that all operators become familiar with, and follow safety precautions. Operating instructions must be given to everyone using the tractor before operation and at least once yearly thereafter in compliance with OSHA Regulations 1928.57 (United States).

Safe Operation on Rough Terrain

1. Drive the mower slowly on hillsides and curves to eliminate the danger of tipping. Avoid slopes which are too steep for safe operation. Avoid sharp uphill turns.
2. Always drive slowly enough over rough ground or obstructions. Drive at speeds slow enough to ensure your safety.
3. When driving out of a ditch, gully, or up a steep hillside, engage the clutch slowly. Avoid sharp uphill turns.
4. When descending steep grades, select a sufficiently low gear to maintain control with minimum use of braking.
5. Use caution when driving near the edge of a ditch or gully. It may cave in, causing the mower to roll over.
6. Be alert when operating near trees, slopes and around obstructions. Tree branches can cause damage to ROPS components.

Maintenance Safety

1. Remove mud, crop residue, chains, and tools from steps and operator's platform. They may interfere with pedal operation or entry/exit from mower.
2. When servicing components are too high to reach from the ground use steps and handholds. Do not use fenders or shields that are not designed as steps.

Safe Highway Operation

1. Before operating the mower on, or near, public roadways check with your local authorities for any local regulations that will affect you.
2. Equip towed implements with slow moving vehicle (SMV) signs when traveling on public roads.
3. Install additional lights on implement rear to safeguard against rear end collisions.
4. Use hazard warning flashers as required by law when transporting or driving on public roads. If the mower had warning flashers removed when mounting the ROPS, they must be replaced prior to operation on public roads.
5. Keep to the right, yielding right-of-way traffic, especially if pulling implements. Pull off the road and stop to allow motorists to pass. Drive on the road shoulder, if permitted by law.
6. Use extreme caution when pulling heavy loads at road speeds. Avoid hard application of the mower brakes at high speed.
7. Always drive slowly near curbs, approaches or ditches.
8. If equipped, ensure headlights are aligned so they will not blind the operator's of oncoming vehicles. If the mower is not equipped with turn signals and law requires them, install them prior to operating on or near public roads.

9. Use your turn signals, checking for traffic well in advance of turning. If the mower is not equipped with turn signals and law requires them, install them prior to operating on or near public roads.

Safety Decals

1. Keep decals clean. Remove dirt with a wet clean cloth when necessary.
2. Replace safety decals if destroyed, missing, painted over or unreadable. If any safety decals are covered or obscured when the ROPS is mounted, it is recommended that you purchase replacement decals from the mower manufacturer. Mount them in a readable location at, or near, their original location before operating the mower.
3. New ROPS decals and mower decals are available from your mower dealer.

ROPS Safety

1. Install the ROPS in accordance with Tektite mounting instructions. Failure to do so may affect the ROPS ability to withstand a roll over.
2. If the ROPS is subjected to alteration, structural damage or involved in an over turn accident, the entire structure must be replaced. Failure to do so may result in injury or death in the event of a roll over.
3. If the mower is not equipped with seat belts, purchase approved seat belts from the mower manufacturer or Tektite prior to operating the mower.
4. Always fasten seat belts prior to operating the mower.
5. Always operate the mower from the operator's seat.
6. Remove mud, crop residue, chains and tools from steps and operator's platform. They may interfere with pedal operation or entry/exit from the mower.
7. Remove all loose chains, tools, and equipment from the operator's platform. Failure to do so may cause injury or death in the event of a roll over.
8. Do not install the ROPS on a mower model that the ROPS is not designated for (compatible mower designations are printed on the ROPS serial number plate). The ROPS is designed specifically for individual models to ensure ROPS requirements will be met. Installing the ROPS on a non designated mower may result in injury or death.

Emergency Exits

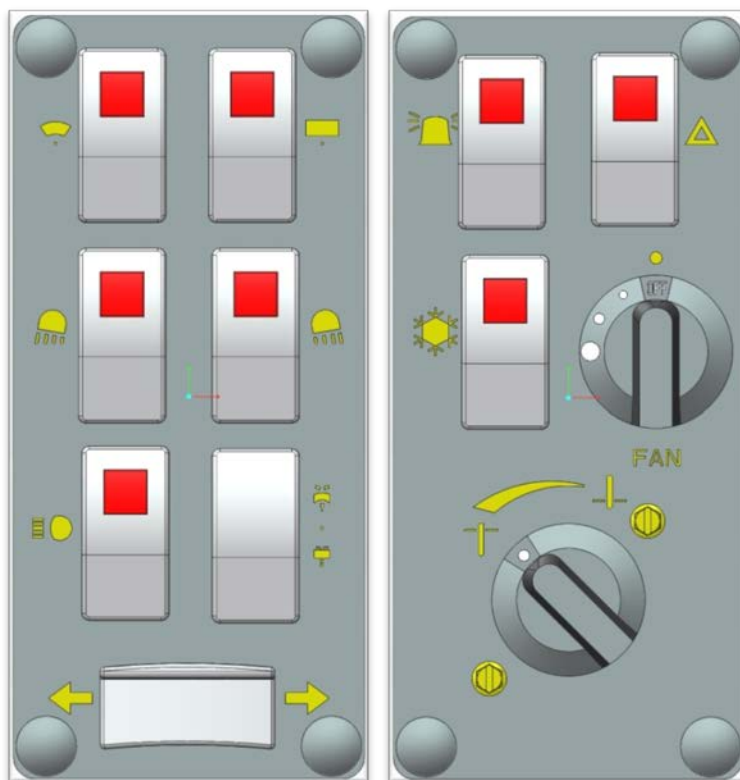
This ROPS cab has 2 exits, which may be used in an emergency: left and right side doors.

Operating Instructions

Important

The following section locates, identifies and briefly describes the functions of all cab controls. All operators should familiarize themselves with control location and function prior to operating the mower. Failure to do so may result in unsafe operation of the mower and possible injury or death to operators and bystanders.

There are two switch plates located in the headliner. The following switches are available and their functionality is described.



Left Switch Plate

1. Front Wiper Rocker Switch (standard)

Low position: Off

High position: On

Note: indicator light activates when wiper is on.

2. Rear Wiper Rocker Switch (optional)

Low position: Off

High position: On

Note: indicator light activates when wiper is on.

3. Front Work Light Rocker Switch (optional)

Low position: Off

High position: On

Note: indicator light activates when work lights are on.

4. Rear Work Light Rocker Switch (optional)

Low position: Off

High position: On

Note: indicator light activates when work light is on.

5. Head Lights Rocker Switch (optional)

Low position: Off

High position: On

Note: indicator light activates when head lights are on.

6. Front and Rear Washer Rocker Switch (optional)

Low position: Momentary – On Rear Washer

Middle position: Off

High position: Momentary – On Front Washer

7. Turn Signal Rocker Switch (optional)

Left position: On

Middle position: Off

Right position: On

Right Switch Plate

1. Beacon Rocker Switch (standard)

Low position: Off

High position: On

Note: indicator light activates when beacon is on.

2. Hazard Rocker Switch (optional)

Low position: Off

High position: On

Note: indicator light activates when 4-way flashers are on.

3. Air Conditioner Rocker Switch (optional)

Low position: Off

High position: On

Note: indicator light activates when air conditioner is on.

4. Fan Rotary Switch (optional)

Indicator mark above switch indicates whether fan is operational or not.

5. Temperature Control Rotary Switch (optional)

Indicator mark at lower left corner indicates current temperature setting. Rotate to increase heat output or to decrease heat output of heating system. When air conditioner is being used, it is recommended that the switch be at maximum cooling position.

Column Mount Turn Signal Lever (optional)

Up position turn right

Down position turn left

Pull tab activates flashers

Cab Circuit Protection

The Tektite ROPS cab is wired to provide maximum protection against accidental battery rundown and circuit overload. A relay in the cab is ignition activated and prevents the operator from accidentally leaving fan motors, lights on after turning the tractor off and leaving for the day. A circuit breaker is provided to prevent the cab electrical components from drawing more power than they should be able to from a dead short. The cab electrical components are also fused individually, and the fuse block is located in the headliner, directly above the door opening on the left side. Locate the 3" snap cap, and with a small flat screw driver you can remove the cap to examine the fuses provided. A decal on the fuse block indicates which fuse is for which electrical option.

After your ROPS Cab has been installed:

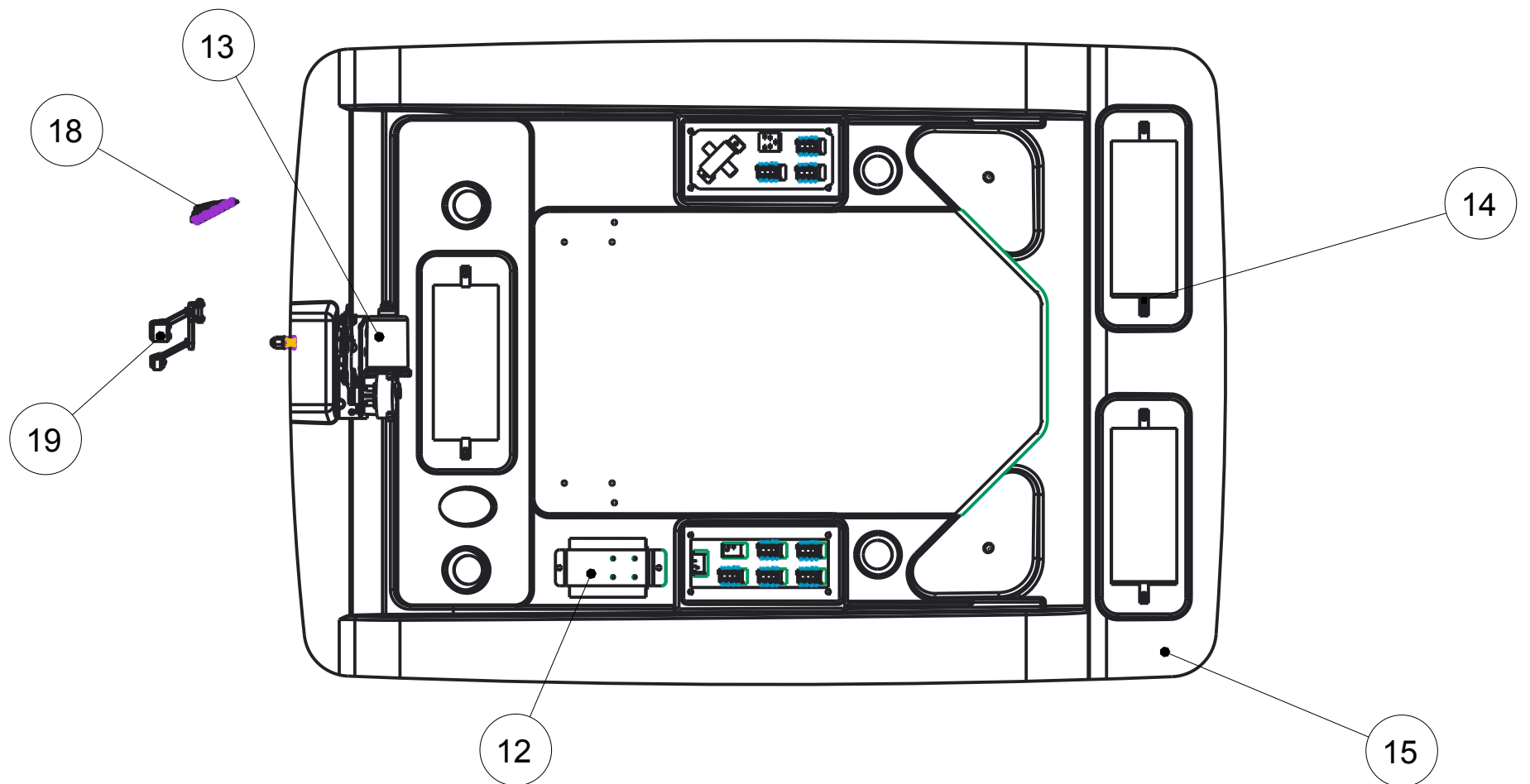
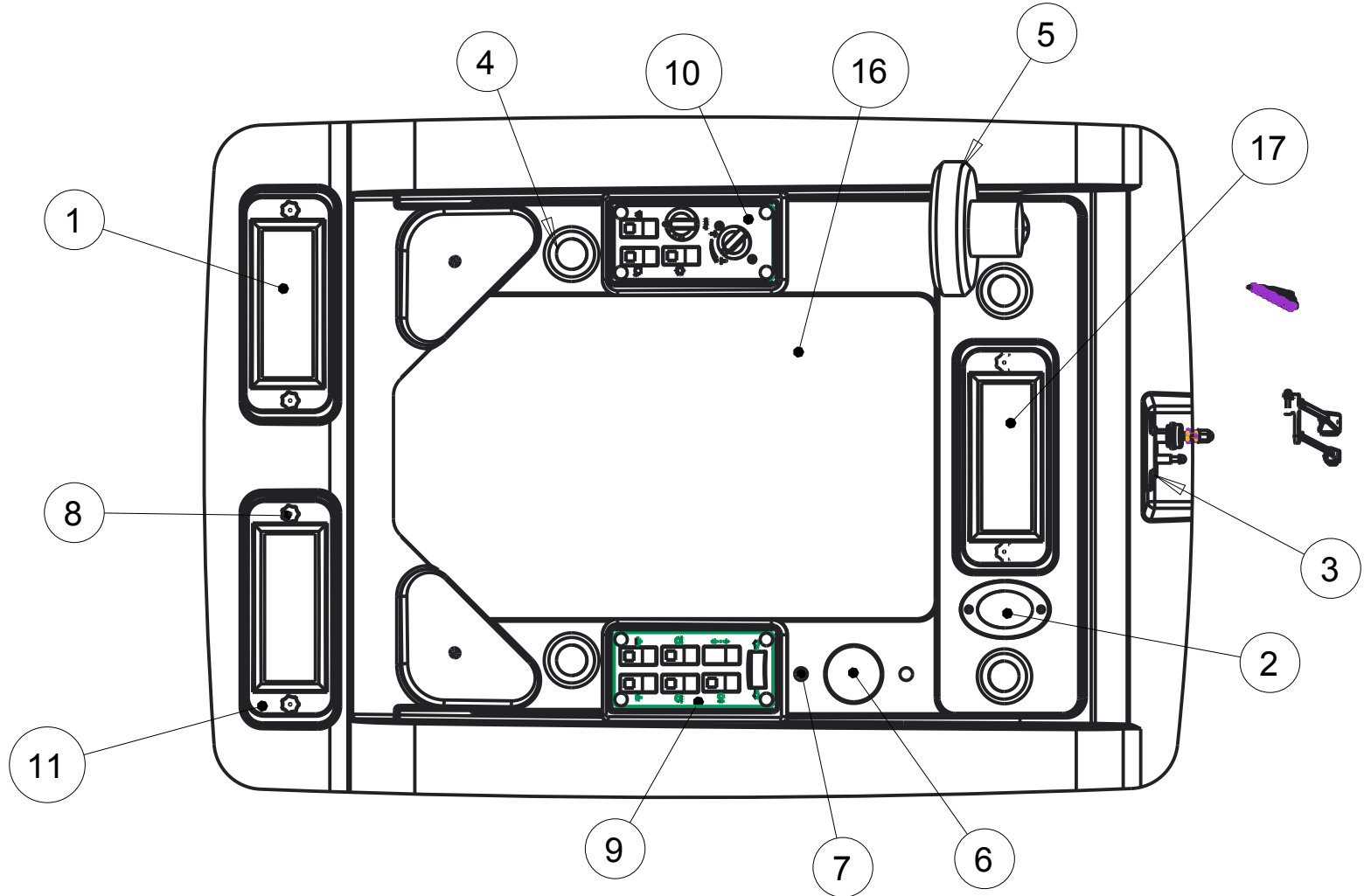
Before starting a mower equipped with a Tektite ROPS cab:

1. Clear the operator platform of all tools. Tools left in or around the ROPS and mower can cause operator interference which could lead to bodily injury and/or damage the machine.
2. Inspect the ROPS and mower to ensure all bolts are tight and re-tighten if required.
3. Ensure that all pedals, levers, and controls have adequate clearance for normal operation.
4. Ensure that all electrical components of both the ROPS and mower operate normally.
5. Ensure your door latches properly onto the striker pin. Immediately after installation, the ROPS frame may flex slightly from installation, and the door latch will need to be re-aligned for proper operation. Loosen the striker pin, striker mounting plate and door latch as necessary to get a proper alignment of the door striker.

Service Parts Breakdowns:

Following are parts breakdowns for components that may require service parts replacement during the life of the ROPS. If you require replacement parts, please contact the dealer that you purchased the ROPS from and indicate which parts you require.

Index	Service Part #	File Name	Description	Qty
1	A00-0006	TEKT-0074	Cabin Air Filter	2
2	A00-0016	TEKT-0075	Domelight LED	1
3	A00-0017	305-1002	Panto Mount Plate	1
4	A00-0025	BALL-LOUVER	2 1/2" Ball Louver	4
5	A00-0026	OSCILLATING-FAN	Oscillating Fan	1
6	A00-0038	TEKT-0076	3" Plug	1
7	A00-0055	TEKT-0019	Fir Tree Fastener	2
8	A00-0070	REID-KBP-262-KBP-265	Knob, Knurled, 1/4"	6
9	A00-0071	LEFT-SWITCHPLATE-ASM	Left Switchplate Assembly	1
10	A00-0072	TEKT-ASM-030	Right Switchplate Assembly, 2014 Update	1
11	A00-0073	FILTER-COVER	Filter Cover	3
12	A00-0074	TEKT-ASM-004	Fuse Block Assembly	1
13	A00-0075	WWJ-MOTOR-ASM	Front Wiper Motor, WWJ	1
14	A00-0076	TEKT-0026	1/4" Panel Nut	6
15	A00-0081	KUF2880-HEADLINER-REV1	Headliner	1
16	A00-0082	KUF2880-049	Headliner Upholstery	1
17	A00-0083	KUF2880-060	Front Filter Upholstery	1
18	A00-0120	BLADE_24	Wiper Blade, 24"	1
19	A00-0140	PANTO_ARM_20	Wiper Arm, 20" Panto	1



Tektite Manufacturing Inc.
24157 Hwy 3, Box 639, Winkler MB, R6W 4A8, Canada

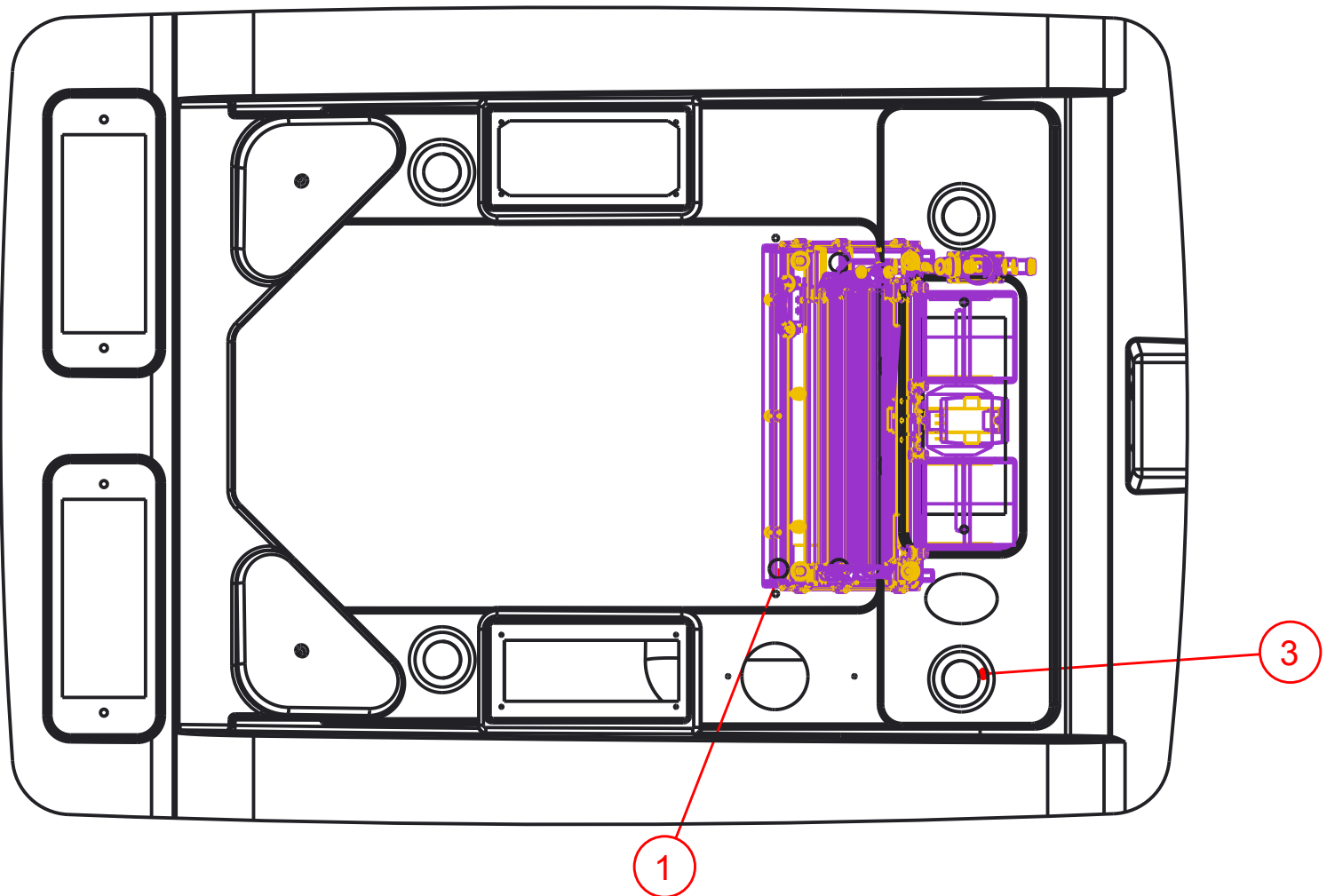
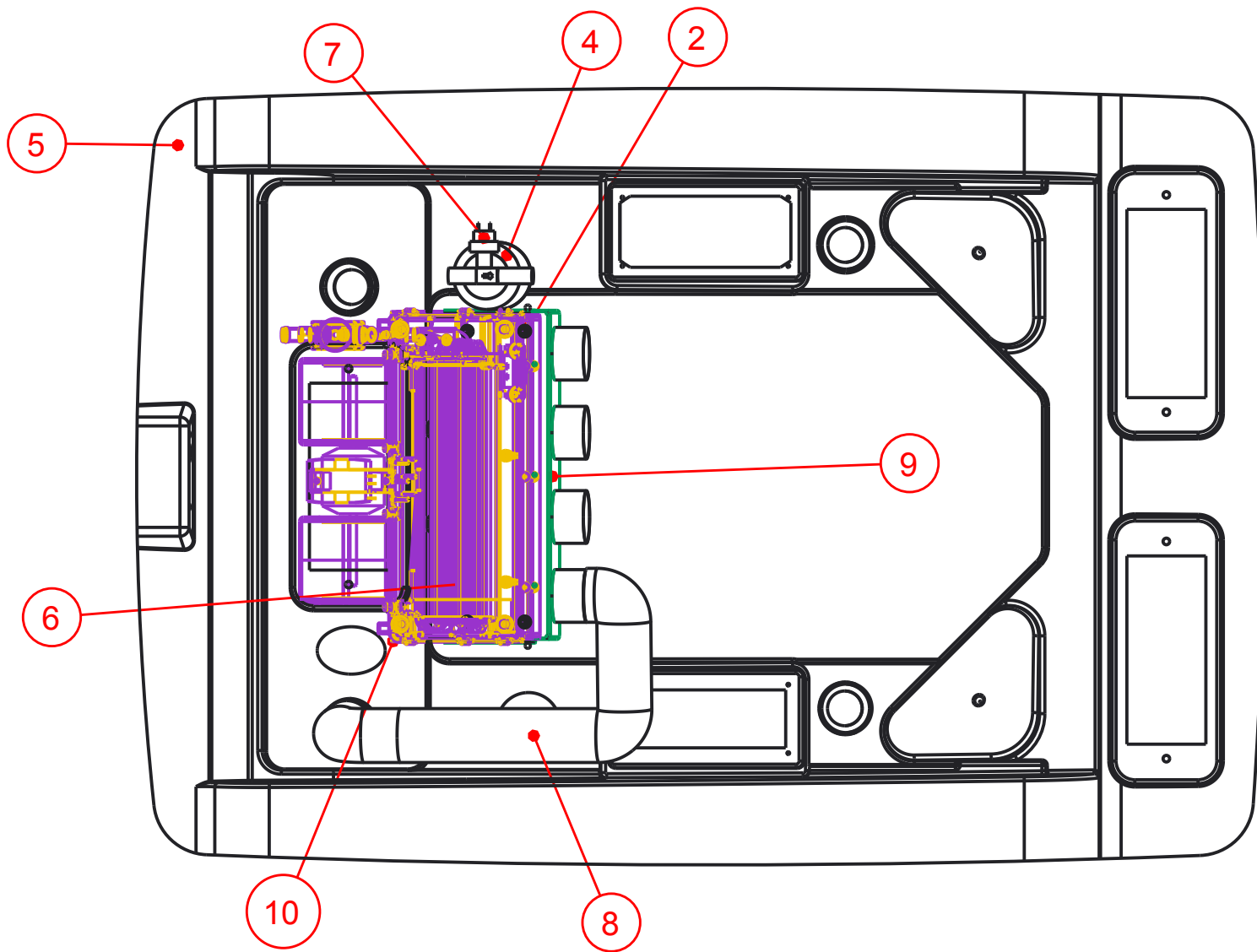
Notice of Confidentiality

This material is property of Tektite Manufacturing Inc and is not to be used by the recipient for any purpose other than the purpose for which it was transmitted. The material remains the property of Tektite and shall be returned upon request. The material may not be reproduced or disclosed to third parties without the written consent of Tektite.

Tolerances:
Unless otherwise specified
X.X = ± 1/16"
Angular = ± 1.0°

Req'd:	CNC:	Description: Headliner Assembly, Mowers	
Drawn By: <i>Daryl Furkalo</i>	Date: 2014-01-02	Units: Imp.	File Name: TEKT-ASM-032
Checked By:	Date:	Size: B	

Index	Service Part #	File Name	Description	Qty
1	A00-0019	STEP-BOLT1-4X1	Step Bolt, 1/4" x 1", MB	4
2	A00-0021	FLANGE-NUT-1-4	Flange Nut, 1/4", YD	4
3	A00-0025	BALL-LOUVER	2 1/2" Ball Louver	4
4	A00-0028	TEKT-0088	Red Dot Drier	1
5	A00-0081	KUF2880-HEADLINER-REV1	Headliner	1
6	A00-0105	R-2300-2_090902	Heater A/C Blower Unit, 2300	1
7	A00-0171	TEKT-0089	Binary Switch	1
8	A00-0173	TEKT-0090	Louver Hose	1
9	A00-0204	TEKT-ASM-011	Louver Hose Mount Plate, 2300	1
10	A00-0205	TEKT-0008_REV1	Red Dot 2300 Mount Bracket	1



Tektite Manufacturing Inc.
24157 Hwy 3, Box 639, Winkler MB, R6W 4A8, Canada

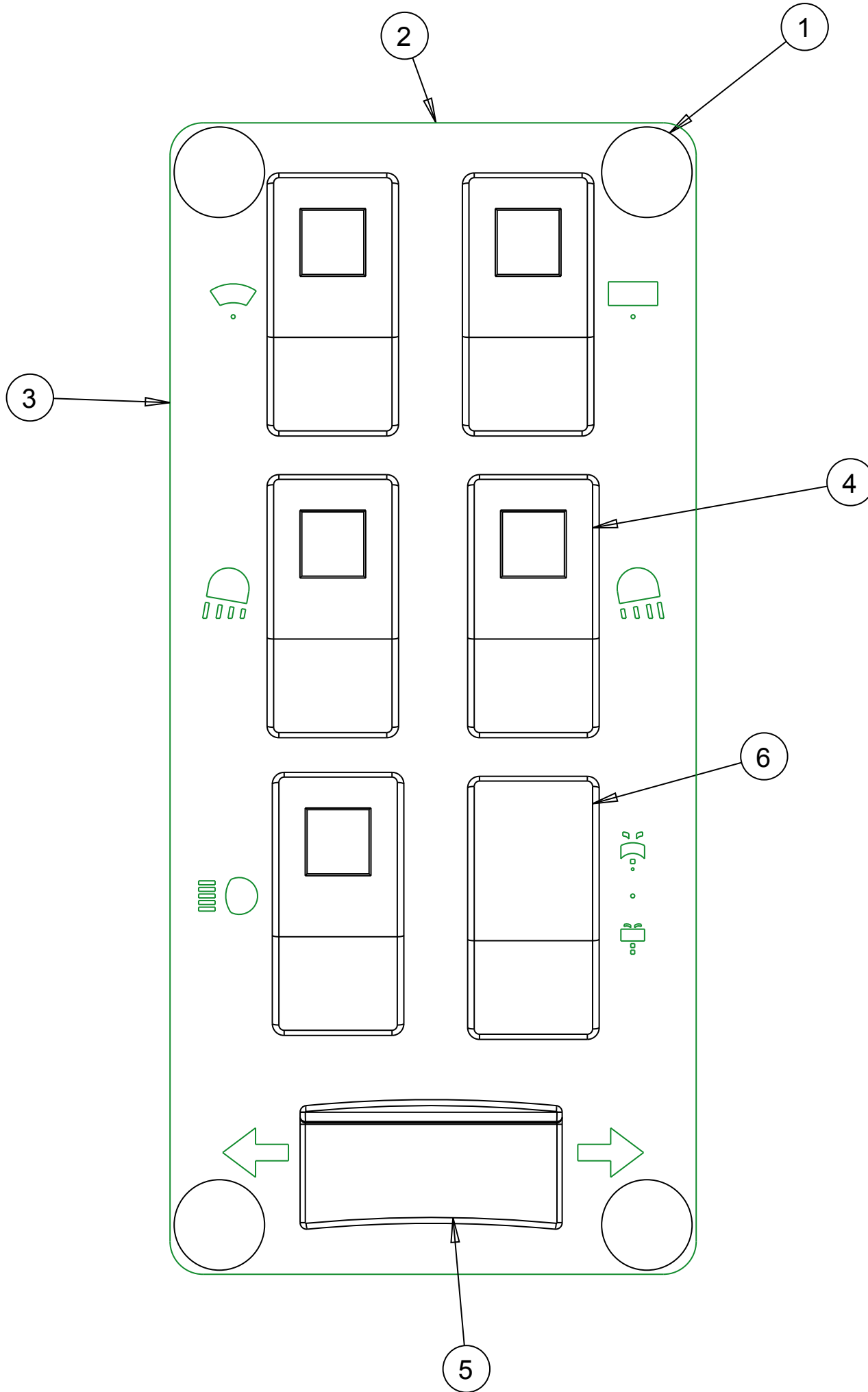
Notice of Confidentiality

This material is property of Tektite Manufacturing Inc and is not to be used by the recipient for any purpose other than the purpose for which it was transmitted. The material remains the property of Tektite and shall be returned upon request. The material may not be reproduced or disclosed to third parties without the written consent of Tektite.

Tolerances:
Unless otherwise specified
X.X = ± 1/16"
Angular = ± 1.0°

Req'd:	CNC:	Description: A/C Compatible Additional Parts	
Drawn By: <i>Daryl Furkalo</i>	Date: 2014-12-12	Units: Imp.	File Name: TEKT-ASM-020_AC-ASM
Checked By:	Date:	Size: B	

Index	Service Part #	File Name	Description	Qty
1	A00-0055	TEKT-0019	Fir Tree Fastener	4
2	A00-0063	LEFT-CAB-SWITCHPLATE	Left Switchplate	1
3	A00-0064	LEFT-CAB-SWITCHPLATE-DECAL	Left Switchplate Decal	1
4	A00-0065	TEKT-ASM-005	On-Off Switch w/Lens	5
5	A00-0066	TEKT-ASM-006	On-Off-On Rocker No Lens	1
6	A00-0067	TEKT-ASM-007	Mom-Off-Mom Rocker Switch	1



SCALE 1.000

Notice of Confidentiality

This material is property of Tektite Manufacturing Inc and is not to be used by the recipient for any purpose other than the purpose for which it was transmitted. The material remains the property of Tektite and shall be returned upon request. The material may not be reproduced or disclosed to third parties without the written consent of Tektite.

Tolerances:
Unless otherwise specified

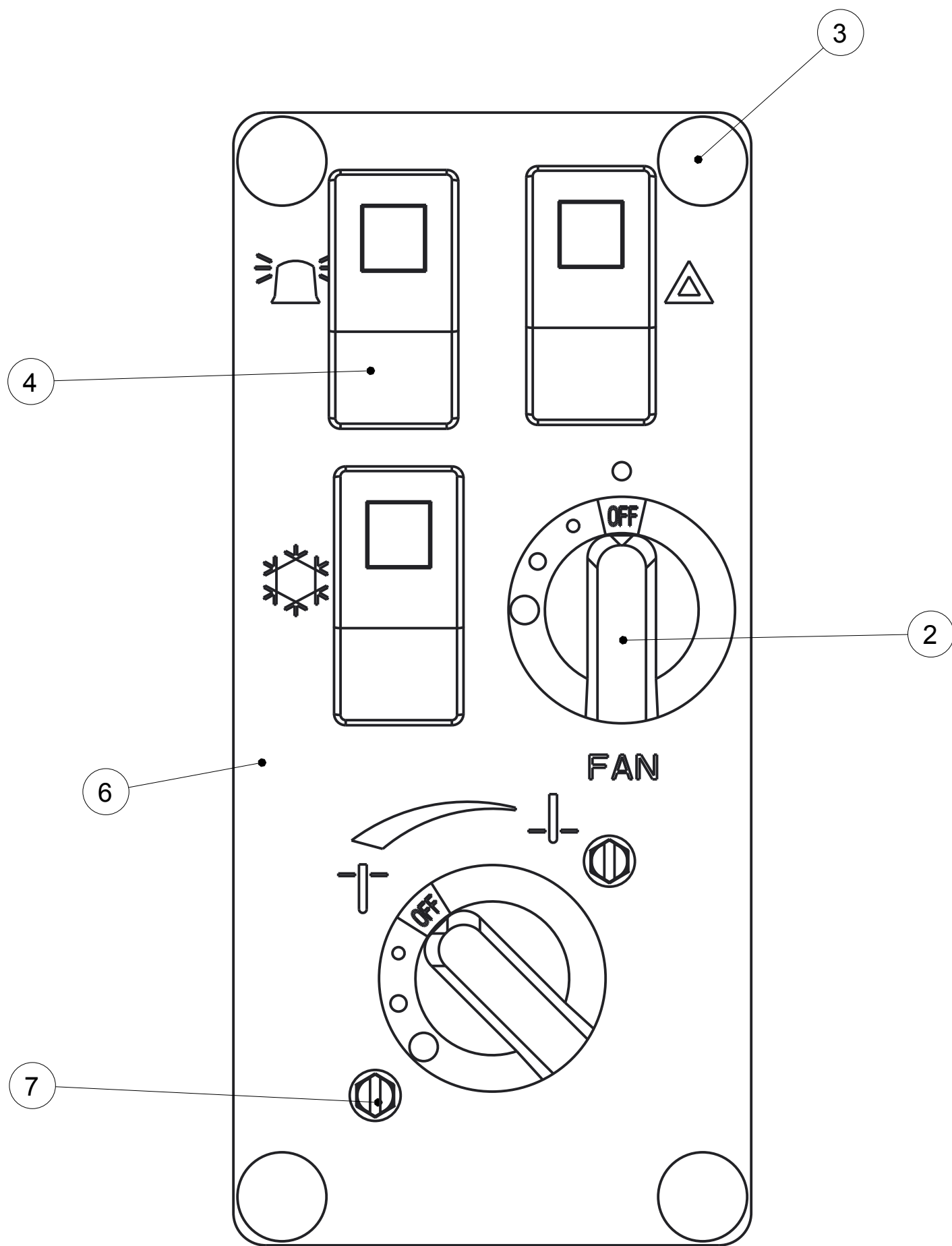
X.X = ± 1/16"
Angular = ± 1.0 °

Tektite Manufacturing Inc.

24157 Hwy 3, Box 639, Winkler MB, R6W 4A8, Canada

Req'd:	CNC:	Description: Operator Manual Switch Plate Left	
Drawn By: <i>Daryl Furkalo</i>	Date: 2009-03-09	Units: Imp.	File Name: LEFT-SWITCHPLATE-ASM
Checked By:	Date:	Size: B	

Index	Service Part #	File Name	Description	Qty
1	A00-0007	FAN-SWITCH	4-Position Fan Switch	1
2	A00-0054	TEKT-0018	Fan Speed Control Knob	2
3	A00-0055	TEKT-0019	Fir Tree Fastener	4
4	A00-0065	TEKT-ASM-005	On-Off Switch w/Lens	3
5	A00-0252	TEKT-0117	Water Valve Directly on Switch	1
6	A00-0253	TEKT-0119	Right Switchplate Decal, 2014 Update	1
7	A00-0282	SCREW-3-16X3-4	Screw, Self-Tap, 3/16" x 3/4"	2
8	A00-0283	TEKT-0118	Right Switchplate, 2014 Redesign	1



SCALE 1.000

Notice of Confidentiality

This material is property of Tektite Manufacturing Inc and is not to be used by the recipient for any purpose other than the purpose for which it was transmitted. The material remains the property of Tektite and shall be returned upon request. The material may not be reproduced or disclosed to third parties without the written consent of Tektite.

Tolerances:

Unless otherwise specified

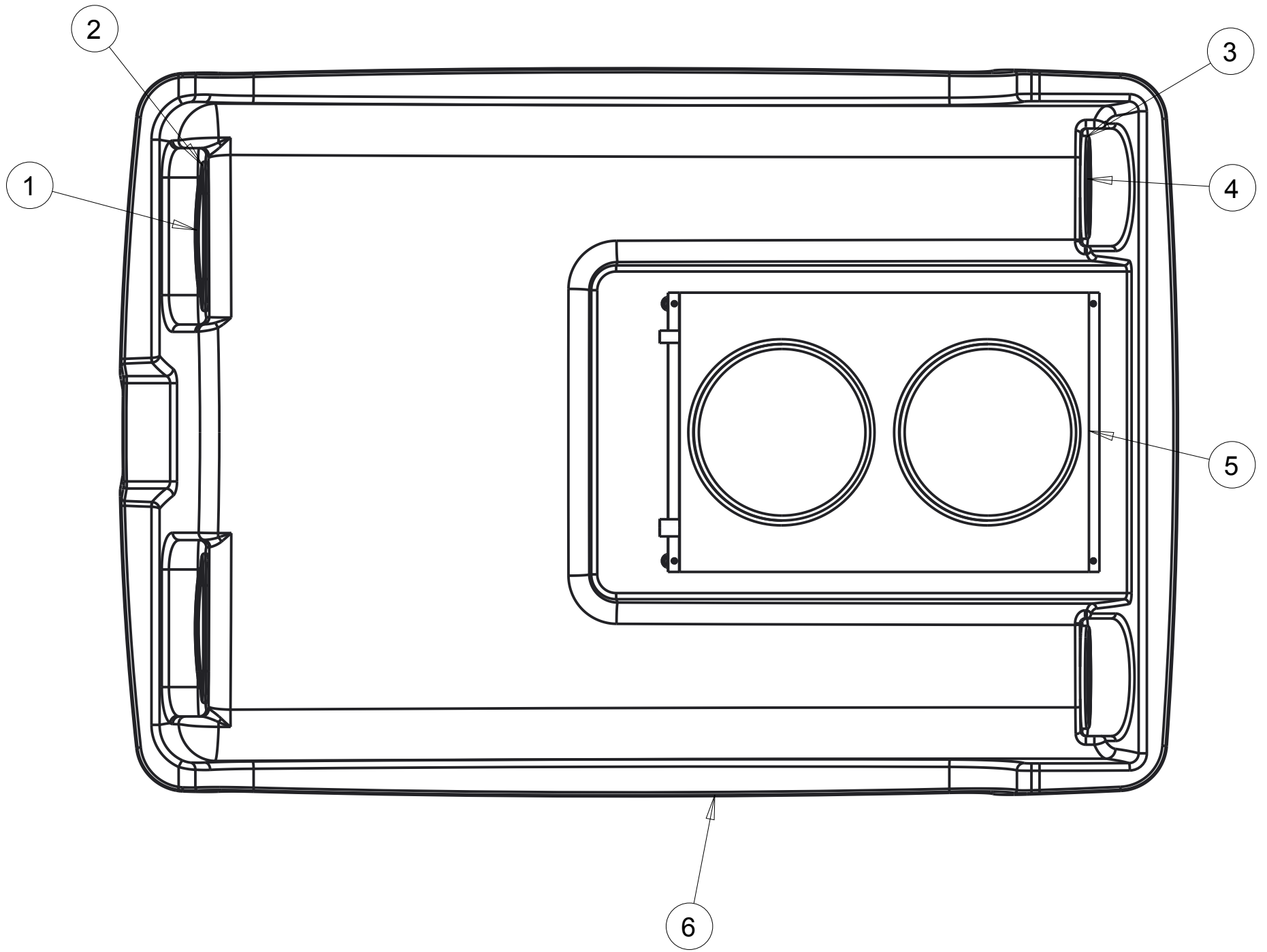
X.X = $\pm 1/16"$
Angular = $\pm 1.0^\circ$

Tektite Manufacturing Inc.

24157 Hwy 3, Box 639, Winkler MB, R6W 4A8, Canada

Req'd:	CNC:	Description: New Valve Design Switch Plate, 2014	
Drawn By: <i>Daryl Furkalo</i>	Date: 2014-02-05	Units: Imp.	File Name: TEKT-ASM-030
Checked By:	Date:	Size: B	

Index	Service Part #	File Name	Description	Qty
1	A00-0008	TEKT-0077	Front Turn Signal Light LED, Amber	2
2	A00-0009	TEKT-0079	Oval LED Light Grommet	2
3	A00-0010	TEKT-0078	Round Grommet, LED Light	2
4	A00-0011	TEKT-0080	Round Turn Light	2
5	A00-0078	RED-DOT-CONDENSOR	Red Dot Condensor 77R1602	1
6	Ja3-0016	KUF2880-ROOF	Roof	1



Tektite Manufacturing Inc.
24157 Hwy 3, Box 639, Winkler MB, R6W 4A8, Canada

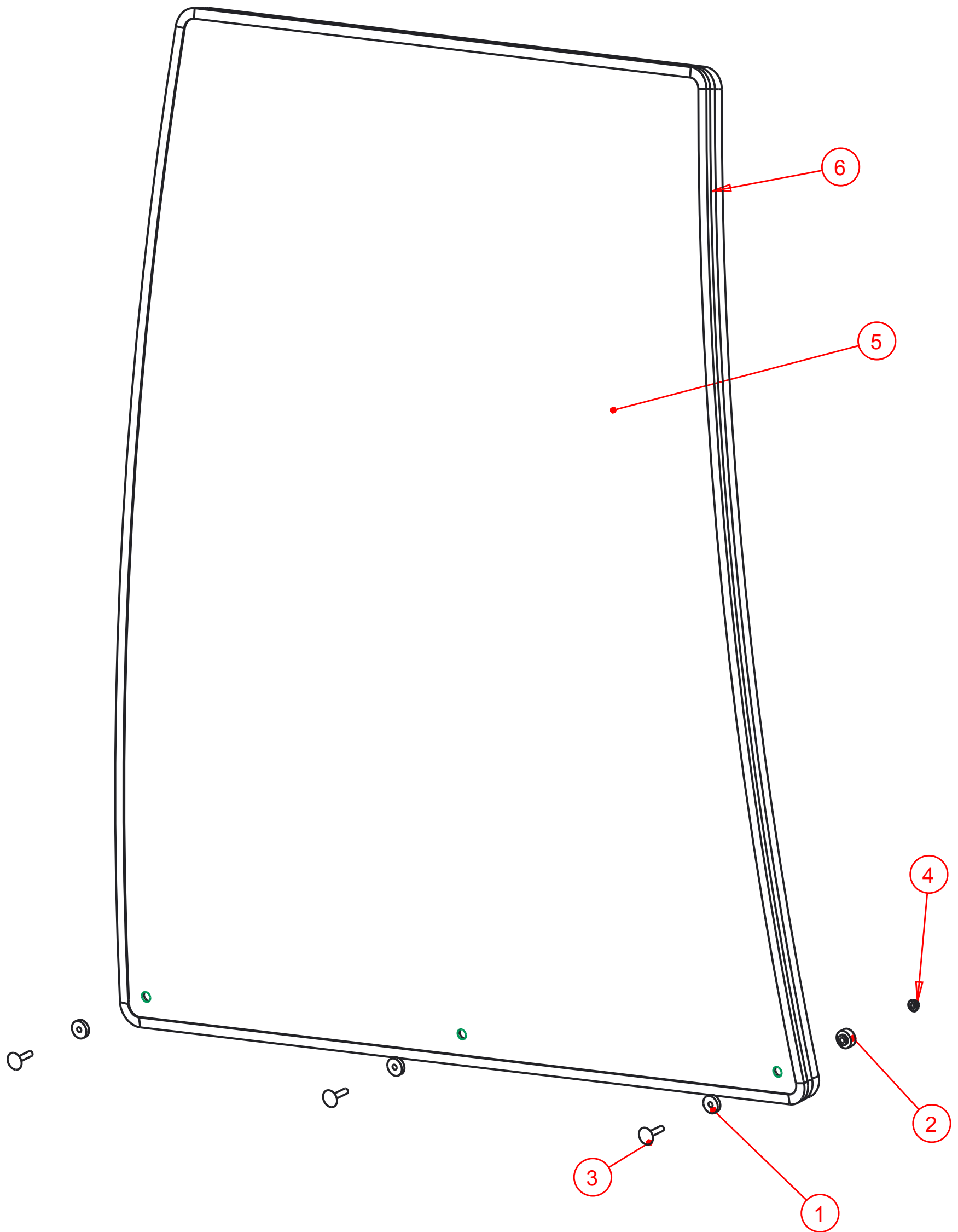
Notice of Confidentiality

This material is property of Tektite Manufacturing Inc and is not to be used by the recipient for any purpose other than the purpose for which it was transmitted. The material remains the property of Tektite and shall be returned upon request. The material may not be reproduced or disclosed to third parties without the written consent of Tektite.

Tolerances:
Unless otherwise specified
X.X = ± 1/16"
Angular = ± 1.0°

Req'd:		CNC:		Description: Roof Assembly	
Drawn By: <i>Daryl Furkalo</i>		Date: 2013-02-01		Units: Imp.	File Name: KUF2880-ROOF-ASM
Checked By:		Date:		Size: B	

Index	Service Part #	File Name	Description	Qty
1	A00-0013	TEKT-0009	5MM Bushing	3
2	A00-0014	TEKT-0092	Thick Bushing	3
3	A00-0020	STEP-BOLT1-4X1-1-4	Step Bolt, 1/4" x 1 1/4", MB	3
4	A00-0021	FLANGE-NUT-1-4	Flange Nut, 1/4", YD	3
5	Ja7-0006	JAMP653-034	Front Window Glass	1
6	Ja7-0015	JAMP653-078-	Windshield Seal	1



Tektite Manufacturing Inc.
24157 Hwy 3, Box 639, Winkler MB, R6W 4A8, Canada

Notice of Confidentiality

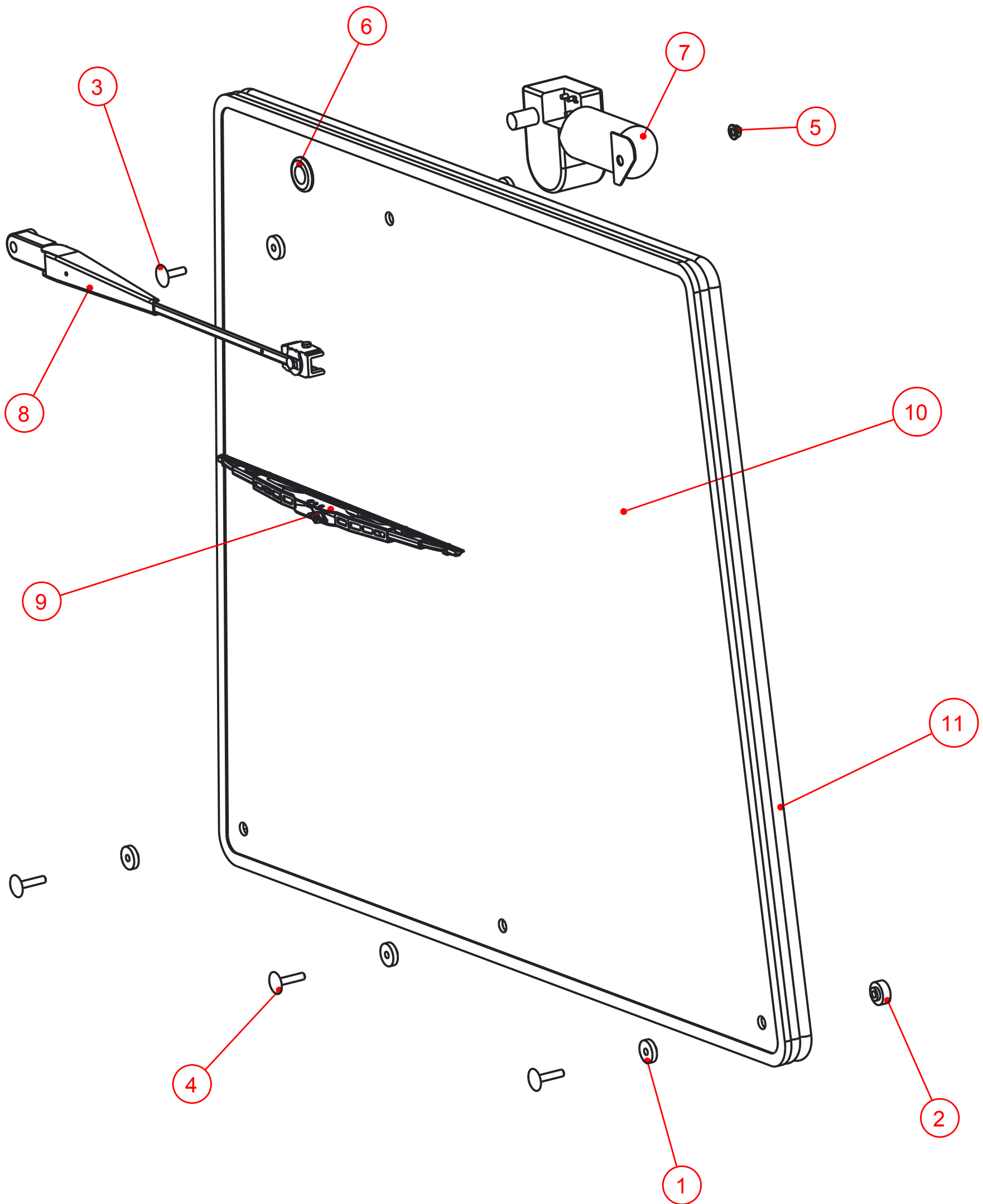
This material is property of Tektite Manufacturing Inc and is not to be used by the recipient for any purpose other than the purpose for which it was transmitted. The material remains the property of Tektite and shall be returned upon request. The material may not be reproduced or disclosed to third parties without the written consent of Tektite.

Tolerances:
Unless otherwise specified

X.X = $\pm 1/16"$
Angular = $\pm 1.0^\circ$

Req'd: 1 req		CNC:		Description: Windshield Assembly	
Drawn By: <i>Daryl Furkalo</i>		Date: 2015-10-14		Units: Imp.	File Name: JAMP653-ASM-19_OP
Checked By:		Date:		Size: B	

Index	Service Part #	File Name	Description	Qty
1	A00-0013	TEKT-0009	5MM Bushing	5
2	A00-0014	TEKT-0092	Thick Bushing	3
3	A00-0019	STEP-BOLT1-4X1	Step Bolt, 1/4" x 1", MB	1
4	A00-0020	STEP-BOLT1-4X1-1-4	Step Bolt, 1/4" x 1 1/4", MB	3
5	A00-0021	FLANGE-NUT-1-4	Flange Nut, 1/4", YD	4
6	A00-0033	315-080	Rear Wiper Shaft Grommet	1
7	A00-0043	WWF-MOTOR	WWF Wiper Motor, 1" Shaft	1
8	A00-0108	TEKT-ASM-037	WWF, Adjustable Radial Arm, 15" to 19"	1
9	A00-0109	302-1160_BLADE	Wiper Blade, 16", Narrow Saddle	1
10	Ja7-0005	JAMP653-033	Rear Window Glass	1
11	Ja7-0014	JAMP653-077-	Rear Window Seal	1



Tektite Manufacturing Inc.
24157 Hwy 3, Box 639, Winkler MB, R6W 4A8, Canada

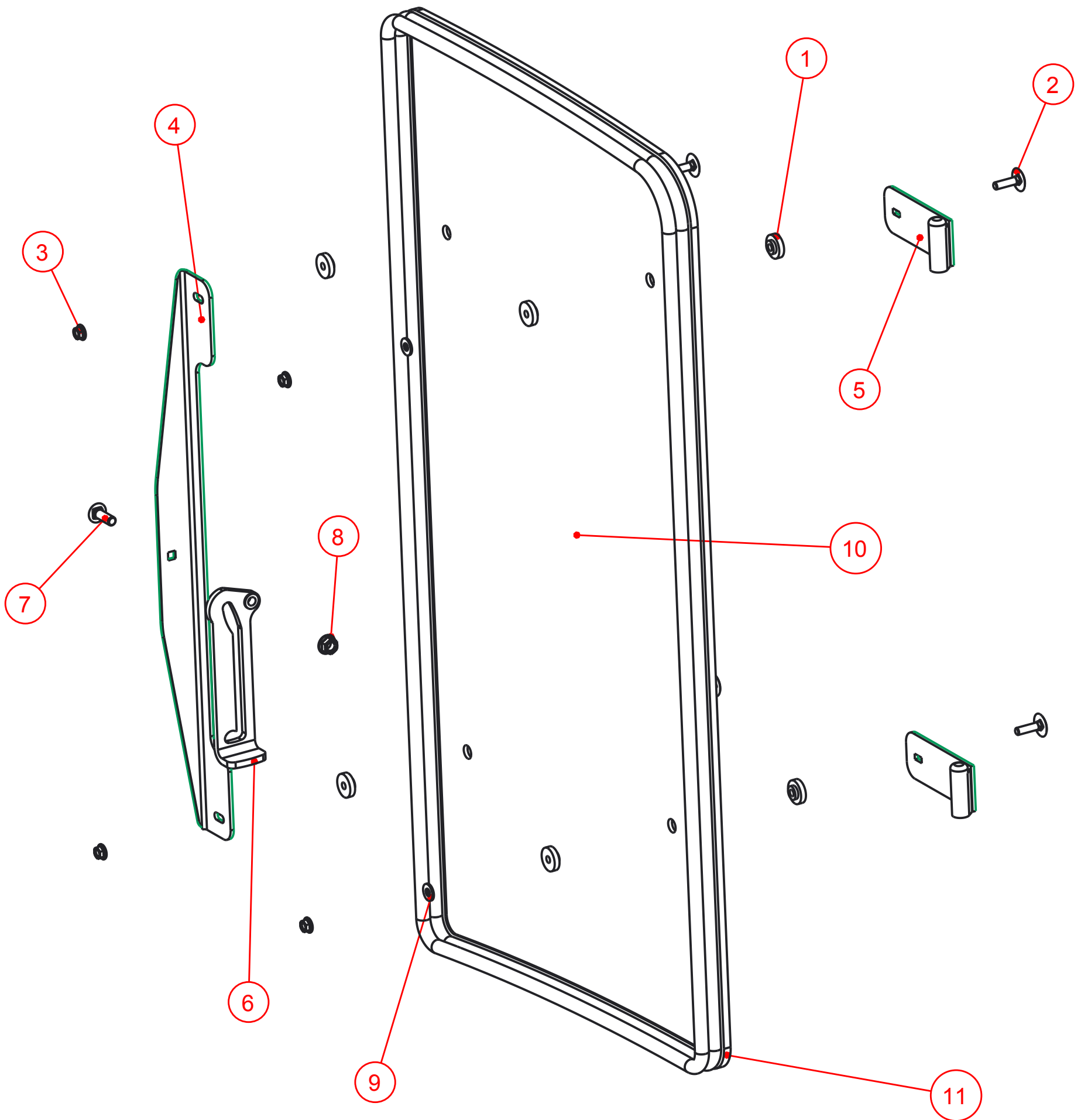
Notice of Confidentiality

This material is property of Tektite Manufacturing Inc and is not to be used by the recipient for any purpose other than the purpose for which it was transmitted. The material remains the property of Tektite and shall be returned upon request. The material may not be reproduced or disclosed to third parties without the written consent of Tektite.

Tolerances:
Unless otherwise specified
X.X = ± 1/16"
Angular = ± 1.0°

Req'd: 1 req	CNC:	Description: Rear Window Assembly	
Drawn By: <i>Daryl Furkalo</i>	Date: 2015-10-16	Units: Imp.	File Name: JAMP653-ASM-18_OP
Checked By:	Date:	Size: B	

Index	Service Part #	File Name	Description	Qty
1	A00-0013	TEKT-0009	5MM Bushing	8
2	A00-0019	STEP-BOLT1-4X1	Step Bolt, 1/4" x 1", MB	4
3	A00-0021	FLANGE-NUT-1-4	Flange Nut, 1/4", YD	4
4	A00-0045	TEKT-0004	Side Window Slider Bracket, 1" tube	1
5	A00-0046	TEKT-ASM-002R	Side Window Hinge Right	2
6	A00-0056	TEKT-0020	Side Window Latch, L60775	1
7	A00-0058	CARRIAGE_BOLT-5-16X1	Bolt, Carriage, 5/16"x 1", YD	1
8	A00-0059	FLANGE-NUT-5-16	Flange Nut, 5/16", YD	1
9	A00-0119	WASHER_1-4	Washer, Flat, 1/4"	2
10	Ja7-0004	JAMP653-032	Right Side Window	1
11	Ja7-0013	JAMP653-076-	Right Side Window Seal	1



Tektite Manufacturing Inc.
24157 Hwy 3, Box 639, Winkler MB, R6W 4A8, Canada

Notice of Confidentiality

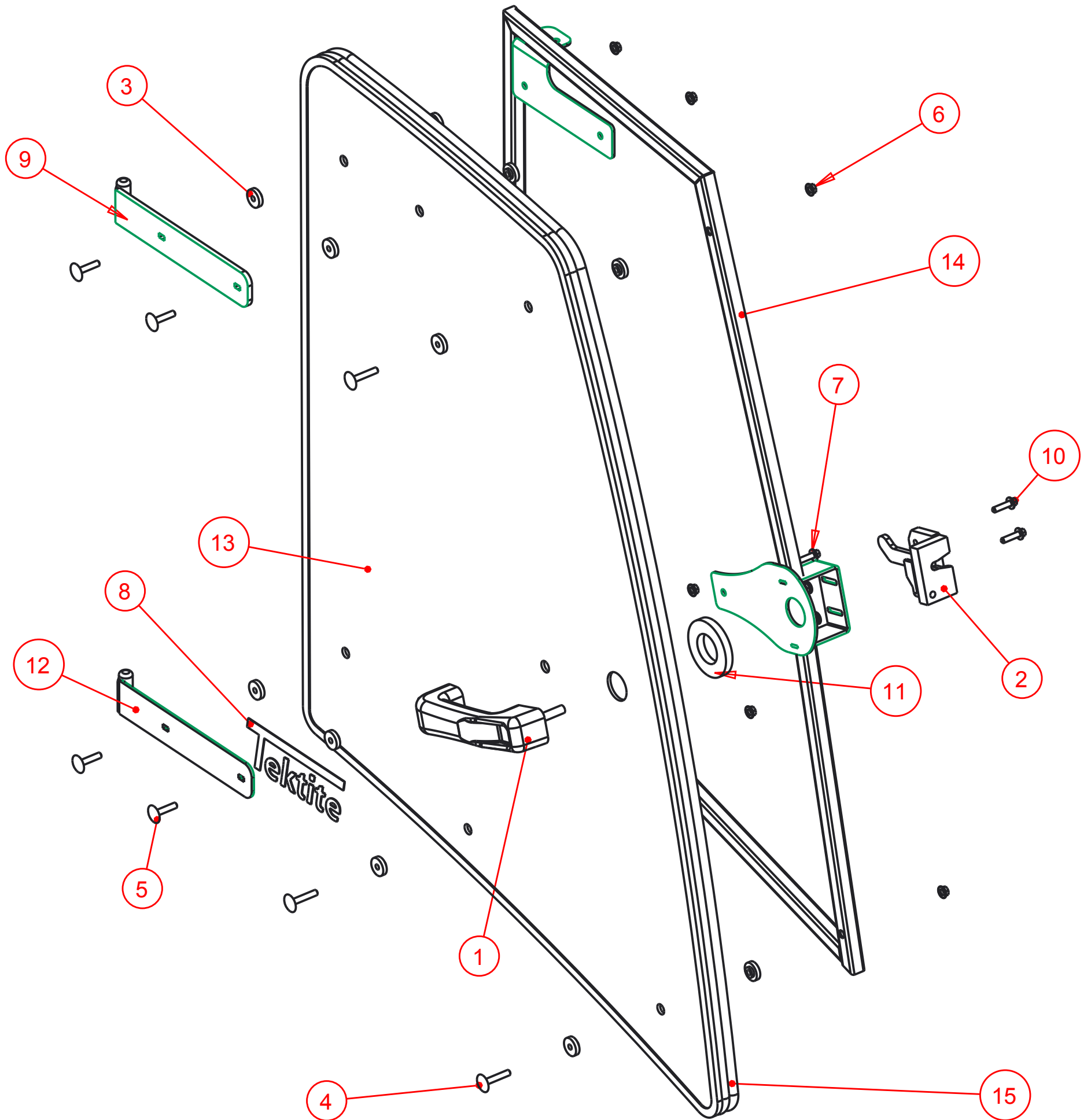
This material is property of Tektite Manufacturing Inc and is not to be used by the recipient for any purpose other than the purpose for which it was transmitted. The material remains the property of Tektite and shall be returned upon request. The material may not be reproduced or disclosed to third parties without the written consent of Tektite.

Tolerances:
Unless otherwise specified

X.X = ± 1/16"
Angular = ± 1.0°

Req'd: 1 req		CNC:	Description: Right Side Window Assembly	
Drawn By: <i>Daryl Furkalo</i>	Date: 2015-10-16	Units: Imp.	File Name: JAMP653-ASM-08_OP	
Checked By:	Date:	Size: B		

Index	Service Part #	File Name	Description	Qty
1	A00-0001	DLP-HANDLE	Outside Push Button Handle	1
2	A00-0003	RIGHT-LATCH	Suicide Door Right Latch	1
3	A00-0013	TEKT-0009	5MM Bushing	15
4	A00-0018	STEP-BOLT1-4X1-1-2	Step Bolt, 1/4" x 1 1/2", MB	3
5	A00-0020	STEP-BOLT1-4X1-1-4	Step Bolt, 1/4" x 1 1/4", MB	4
6	A00-0021	FLANGE-NUT-1-4	Flange Nut, 1/4", YD	9
7	A00-0022	FLANGE_BOLT_M6X25	Flange Bolt, M6x25, YD	1
8	A00-0041	TEKTITE-DECAL	Tektite Cab Decal - Solid White	1
9	A00-0042	TEKT-ASM-001R	Right Cab Door Hinge Weldment, Upper	1
10	A00-0118	FLANGE_BOLT_1-4X1	Flange Bolt, 1/4" x 1", YD	2
11	A00-0177	TEKT-0068	Handle Washer Spacer	1
12	A00-0229	TEKT-ASM-029R	Right Door Hinge Weldment, Lower	1
13	Ja7-0003	JAMP653-031	Right Door Glass	1
14	Ja7-0010	JAMP653-ASM-09	Right Door Frame Weldment	1
15	Ja7-0012	JAMP653-075_	Right Door Seal	1



Tektite Manufacturing Inc.
24157 Hwy 3, Box 639, Winkler MB, R6W 4A8, Canada

Notice of Confidentiality

This material is property of Tektite Manufacturing Inc and is not to be used by the recipient for any purpose other than the purpose for which it was transmitted. The material remains the property of Tektite and shall be returned upon request. The material may not be reproduced or disclosed to third parties without the written consent of Tektite.

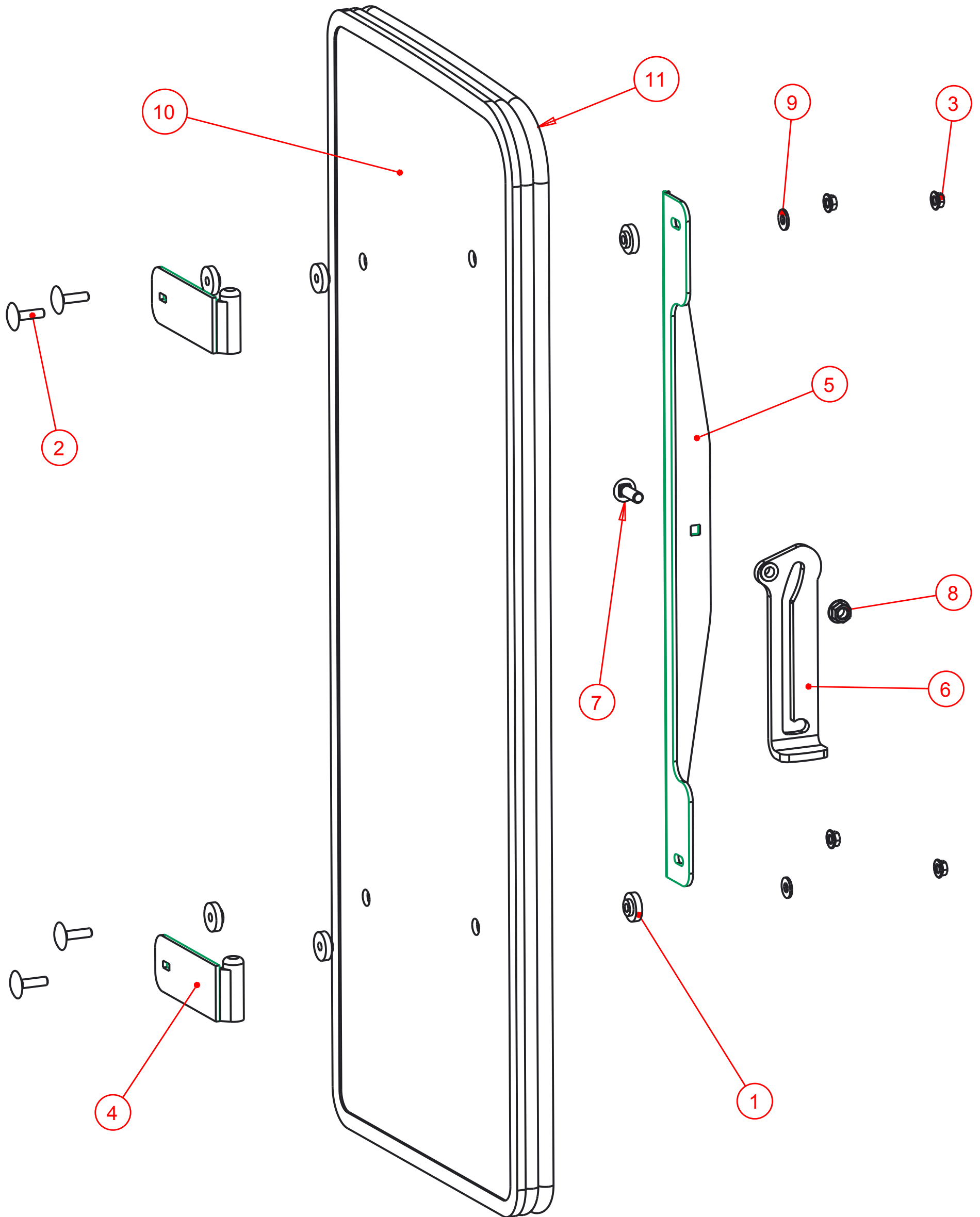
Tolerances:

Unless otherwise specified

X.X = $\pm 1/16"$
Angular = $\pm 1.0^\circ$

Req'd: 1 req	CNC:	Description: Right Door Assembly	
Drawn By: <i>Daryl Furkalo</i>	Date: 2015-10-14	Units: Imp.	File Name: JAMP653-ASM-07_OP
Checked By:	Date:	Size: B	

Index	Service Part #	File Name	Description	Qty
1	A00-0013	TEKT-0009	5MM Bushing	8
2	A00-0019	STEP-BOLT1-4X1	Step Bolt, 1/4" x 1", MB	4
3	A00-0021	FLANGE-NUT-1-4	Flange Nut, 1/4", YD	4
4	A00-0044	TEKT-ASM-002	Side Window Hinge Weldment	2
5	A00-0045	TEKT-0004	Side Window Slider Bracket, 1" tube	1
6	A00-0057	TEKT-0020MIR	Side Window Latch, L60776	1
7	A00-0058	CARRIAGE_BOLT-5-16X1	Bolt, Carriage, 5/16"x 1", YD	1
8	A00-0059	FLANGE-NUT-5-16	Flange Nut, 5/16", YD	1
9	A00-0119	WASHER_1-4	Washer, Flat, 1/4"	2
10	Ja7-0002	JAMP653-028	Left Side Window	1
11	Ja7-0007	JAMP653-072-	Left Side Window Seal	1



Tektite Manufacturing Inc.
24157 Hwy 3, Box 639, Winkler MB, R6W 4A8, Canada

Notice of Confidentiality

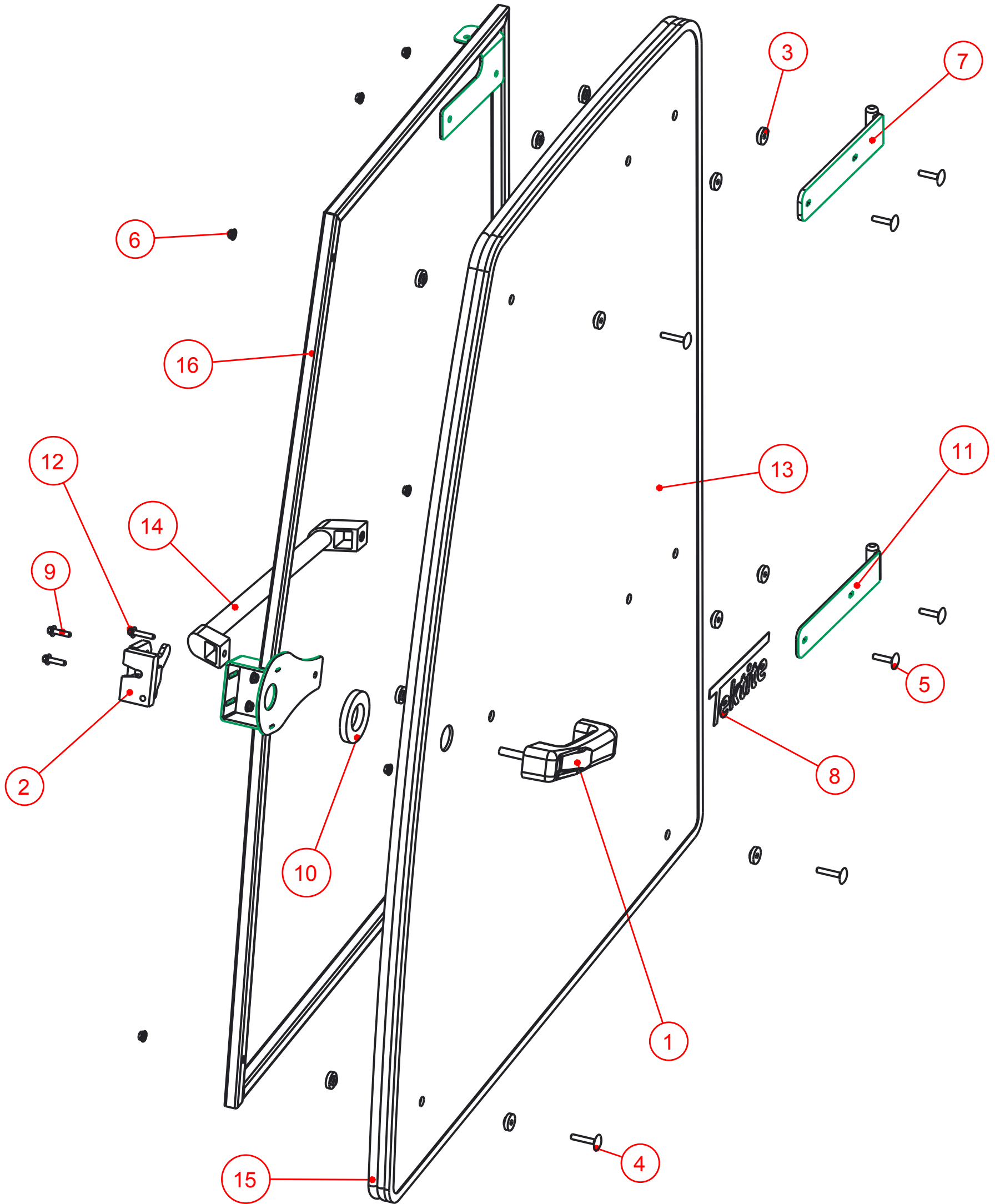
This material is property of Tektite Manufacturing Inc and is not to be used by the recipient for any purpose other than the purpose for which it was transmitted. The material remains the property of Tektite and shall be returned upon request. The material may not be reproduced or disclosed to third parties without the written consent of Tektite.

Tolerances:
Unless otherwise specified

X.X = ± 1/16"
Angular = ± 1.0°

Req'd: 1 req	CNC:	Description: Left Side Window Assembly	
Drawn By: <i>Daryl Furkalo</i>	Date: 2015-10-14	Units: Imp.	File Name: JAMP653-ASM-05_OP
Checked By:	Date:	Size: B	

Index	Service Part #	File Name	Description	Qty
1	A00-0001	DLP-HANDLE	Outside Push Button Handle	1
2	A00-0002	LEFT-LATCH	Suicide Door Left Latch	1
3	A00-0013	TEKT-0009	5MM Bushing	15
4	A00-0018	STEP-BOLT1-4X1-1-2	Step Bolt, 1/4" x 1 1/2", MB	3
5	A00-0020	STEP-BOLT1-4X1-1-4	Step Bolt, 1/4" x 1 1/4", MB	4
6	A00-0021	FLANGE-NUT-1-4	Flange Nut, 1/4", YD	9
7	A00-0039	TEKT-ASM-001	Left Door Hinge Weldment, Upper	1
8	A00-0041	TEKTITE-DECAL	Tektite Cab Decal - Solid White	1
9	A00-0118	FLANGE_BOLT_1-4X1	Flange Bolt, 1/4" x 1", YD	2
10	A00-0177	TEKT-0068	Handle Washer Spacer	1
11	A00-0228	TEKT-ASM-029	Left Door Hinge Weldment, Lower	1
12	A00-0295	FLANGE_BOLT_M6X30	Flange Bolt, M6x30, YD	1
13	Ja7-0001	JAMP653-027	Left Door Glass	1
14	Ja7-0008	JAMP653-073	Door Handle, MP653 LH	1
15	Ja7-0009	JAMP653-074-	Door Seal, Left	1
16	Ja7-0011	JAMP653-ASM-10	Left Door Frame Weldment	1



Tektite Manufacturing Inc.
24157 Hwy 3, Box 639, Winkler MB, R6W 4A8, Canada

Notice of Confidentiality

This material is property of Tektite Manufacturing Inc and is not to be used by the recipient for any purpose other than the purpose for which it was transmitted. The material remains the property of Tektite and shall be returned upon request. The material may not be reproduced or disclosed to third parties without the written consent of Tektite.

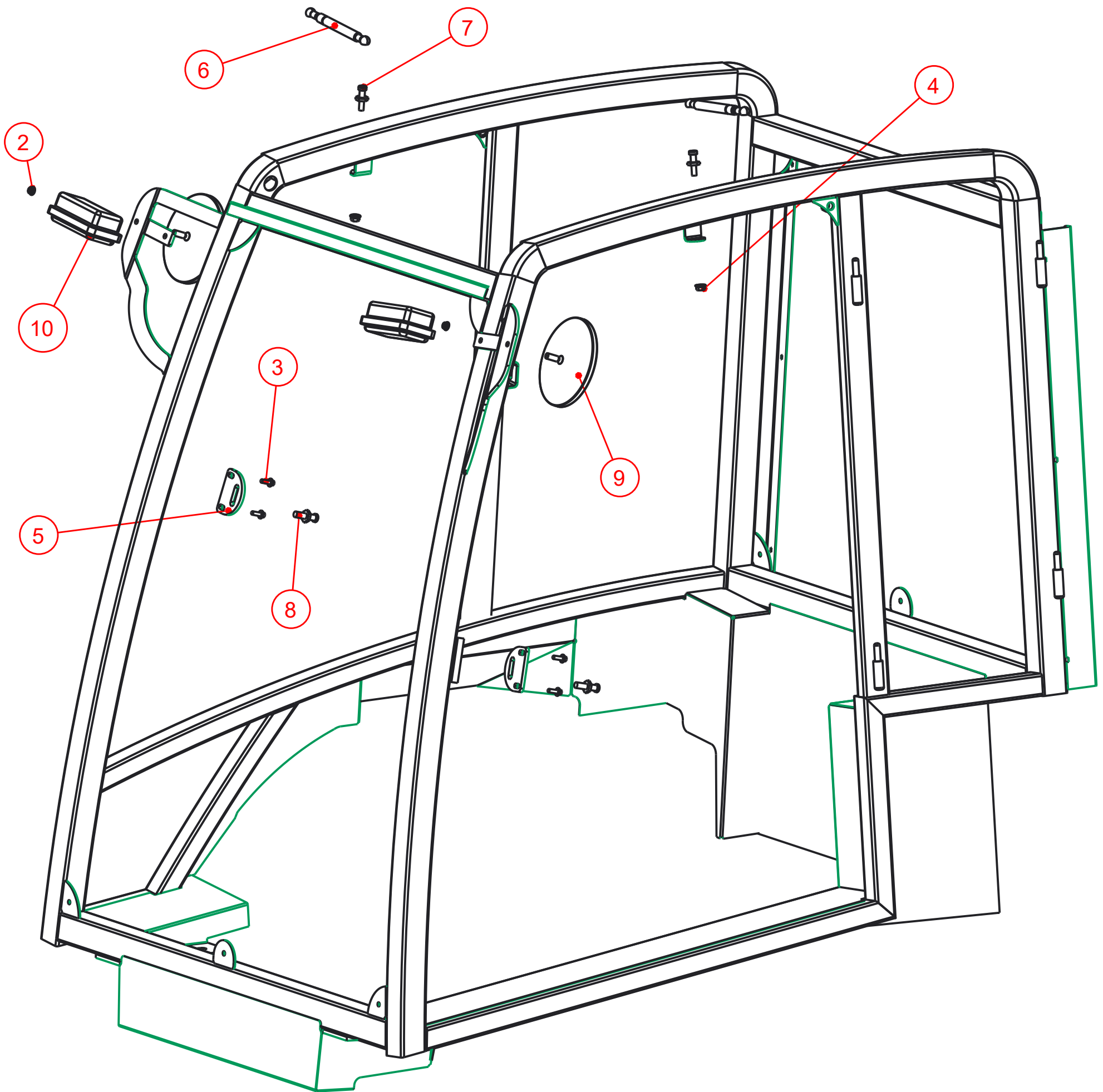
Tolerances:

Unless otherwise specified

X.X = $\pm 1/16"$
Angular = $\pm 1.0^\circ$

Req'd: 1 req	CNC:	Description: Left Door Assembly	
Drawn By: <i>Daryl Furkalo</i>	Date: 2015-10-14	Units: Imp.	File Name: JAMP653-ASM-04_OP
Checked By:	Date:	Size: B	

Index	Service Part #	File Name	Description	Qty
1		JAMP653-ASM-11		1
2	A00-0021	FLANGE-NUT-1-4	Flange Nut, 1/4", YD	2
3	A00-0023	FLANGE_BOLT_1-4X3-4	Flange Bolt, 1/4" x 3/4", YD	4
4	A00-0059	FLANGE-NUT-5-16	Flange Nut, 5/16", YD	2
5	A00-0061	TEKT-0021	Striker Mounting Plate	2
6	A00-0084	TEKT-0070	Gas Shock	2
7	A00-0085	TEKT-0069	Gas Shock Stud	2
8	A00-0101	STRIKER-PIN	Striker Pin	2
9	A00-0141	ROUND_MIRROR_6_INCH	External 6" Mirror	2
10	A00-0371	TEKT-0175	New LED Work Light (Blazer Intl)	2



SCALE 0.140

Notice of Confidentiality

This material is property of Tektite Manufacturing Inc and is not to be used by the recipient for any purpose other than the purpose for which it was transmitted. The material remains the property of Tektite and shall be returned upon request. The material may not be reproduced or disclosed to third parties without the written consent of Tektite.

Tolerances:

Unless otherwise specified

X.X = $\pm 1/16"$
Angular = $\pm 1.0^\circ$

Tektite Manufacturing Inc.

24157 Hwy 3, Box 639, Winkler MB, R6W 4A8, Canada

Req'd: 1 req	CNC:	Description: Accessories	
Drawn By: <i>Daryl Furkalo</i>	Date: 2016-11-29	Units: Imp.	File Name: JAMP653-ASM-21
Checked By:	Date:	Size: B	