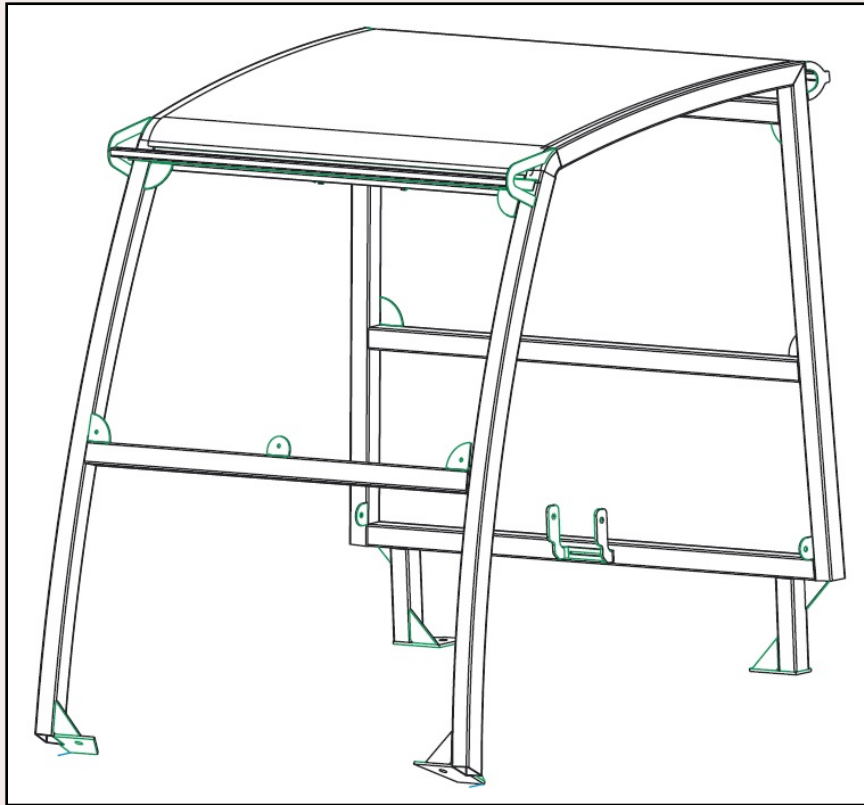




## Toro MP5700 Series 4-Post ROPS

\* Shown with optional components \*



\* Operator must wear respirator when operating sprayer \*

### **Toro MP5700 4-post ROPS**

**This 4-post ROPS is designed and built to fit the Toro MP5700 (2011 update) & MP5800.**

**Designed and Built by:**

**Tektite Manufacturing Inc:**

**427 Buffalo Street**

**P.O. Box 639**

**Winkler, MB**

**R6W 4A8**

**Canada**

**PH: 204-331-3463**

**Fax: 204-331-4159**

**sales@tektite.ca**

**www.tektite.ca**

**One year standard product warranty provided by Tektite.**



**DO NOT PROCEED FURTHER UNTIL YOU HAVE READ THE INFORMATION BELOW**

- 1) Always wear personal protective equipment**
- 2) A minimum of two people is necessary to safely install the cab**
- 3) This ROPS cab is heavy. A lift assist device such as an overhead hoist or high lift forklift is required.**
- 4) Ensure your work area is well ventilated. The installation requires the starting of the tractor which will produce dangerous carbon monoxide fumes.**
- 5) Read through the entire installation manual first.**
- 6) Follow the installation instructions in order.**
- 7) Reading the operators manual prior to using the ROPS cab.**





Tektite Manufacturing Incorporated thanks you for purchasing a Toro MP5700 4-post ROPS! Tektite has worked very hard to design and build this ROPS product and we hope that it provides you with many years of protection.

Tektite's products are designed to provide safe and dependable service during operation when they are properly maintained according to the instructions. Please read this installation manual carefully before installing and using this product.

The photos/illustrations provided in this manual may not provide all the detail needed, and are for reference only.

All directions provided are from the reference point of the tractor seat facing the steering wheel. All left and right references are from this view point.

For reference, please fill in the information below. This will assist your dealer in providing service for this product. It is advisable that this information be provided to your insurance company as well in the event that the tractor is lost or damaged.

Vehicle Model: \_\_\_\_\_

Tektite Serial Number: \_\_\_\_\_

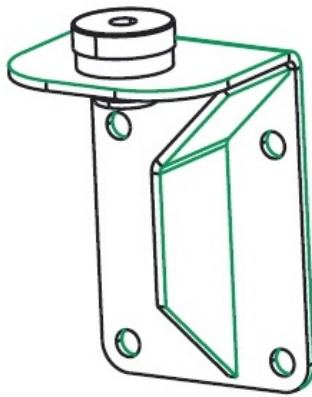
Date of Purchase: \_\_\_\_\_

Dealer Name: \_\_\_\_\_

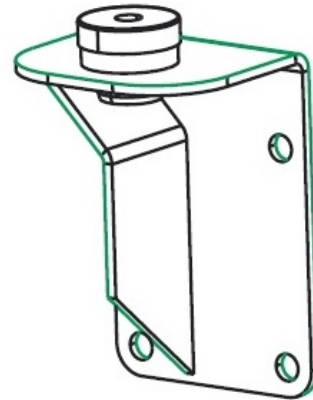


**Standard Parts List:**

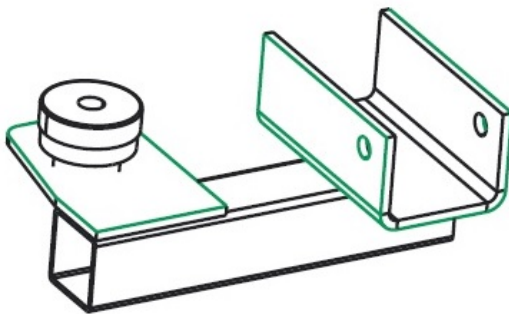
Description	Qty
Washer, Flat, 1/4" Thick Structural, Yellow	4
Bolt, Hex, 5/8" x 3", Gr. 8, Yellow	4
Bolt, Hex, 5/8" x 2", Gr. 8, Yellow	8
Nut, Flange, 5/8", Gr. 8, Yellow	12
Nut, Flange, 1/2", Gr. 8, Yellow	4
Bolt, Hex, 1/2" x 4 1/2", Gr. 8, Yellow	6
Rear Brackets	L&R
Front Brackets	L&R
Wire Loop, 1/4"	2
Zip Ties, Standard	2
Seat Belts (pre-installed)	2 sets



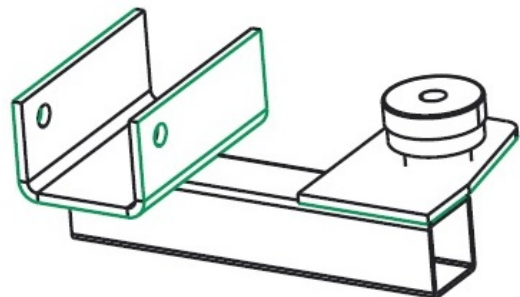
Left Rear Bracket



Right Rear Bracket



Left Front Bracket



Right Front Bracket



1. Remove hip guards from machine. If machine is equipped with 2-post ROPS, it must be removed as well.
2. Take left rear bracket and position on the 4 hole bolt pattern plate on the left chassis rail behind the operator platform. Use the four provided 5/8" x 2" hex bolts and flange nuts and loosely attach bracket onto machine.



3. Repeat previous step for the right rear bracket.



4. Take the left front bracket and position underneath the front operator platform onto the tube chassis member. Slide the provided 1/2" x 4 1/2" hex bolt and nut through the bracket and the hole in the tube. Tighten into place in order to location the hole that must be drilled through the platform.



5. Mark and drill a  $\frac{1}{2}$ " hole up through the hole in the mount plate through the frame crossmember and into the operator foot platform. Use a provided  $\frac{1}{2}$ " x  $4 \frac{1}{2}$ " hex bolt and nut to fasten bracket.

6. Take the right front bracket and position it underneath the front operator platform and onto the tube chassis member. Slide the provided  $\frac{1}{2}$ " x  $4 \frac{1}{2}$ " hex bolt and nut through the bracket and the hole in the tube. Tighten into place in order to location the hole that must be drilled through the platform.





7. Mark and drill a ½" hole up through the hole in the mount plate through the frame crossmember and into the operator foot platform. Use a provided ½" x 4 ½" hex bolt and nut to fasten bracket.
8. Return to the ROPS to install lift straps or chains next between the front and rear light bars at the top of the ROPS. Use caution to prevent marking up the roof.
9. Connect the strap/chain to an over-head hoist or fork lift. Un-bolt the front and rear mounts from the shipping pallet and lift ROPS up off of the shipping pallet.
10. Lift ROPS straight up and position over top of the machine. Slowly lower straight down until the isolators contact the mounting plates on the brackets.
11. Use the provided 5/8" x 3" hex bolts, heavy flat washers, and flange nuts for each ROPS isolator location. For the front and rear mounts, the heavy flat washer goes on bottom for proper alignment.



12. Get all fasteners started, then completely release the over head hoist.
13. Apply 205 ft-lbs of torque to 5/8" isolator fasteners. Apply 105 ft-lbs of torque to 1/2" fasteners.
14. Remove the lift straps, ROPS installation is complete.

For ROPS with electrical components, proceed with the following step:

15. Route the electrical harness located at the bottom of the left C-post and route under seat box towards the battery in front of the left rear bracket. Connect the 10GA red wire to the positive side with the provided 1/4" loop. Shorten wire if necessary, then solder connector to



wire. Connect the 10GA black wire to the ground terminal with provided 1/4" loop connector. Shorten wire if necessary, then solder connector to loop.



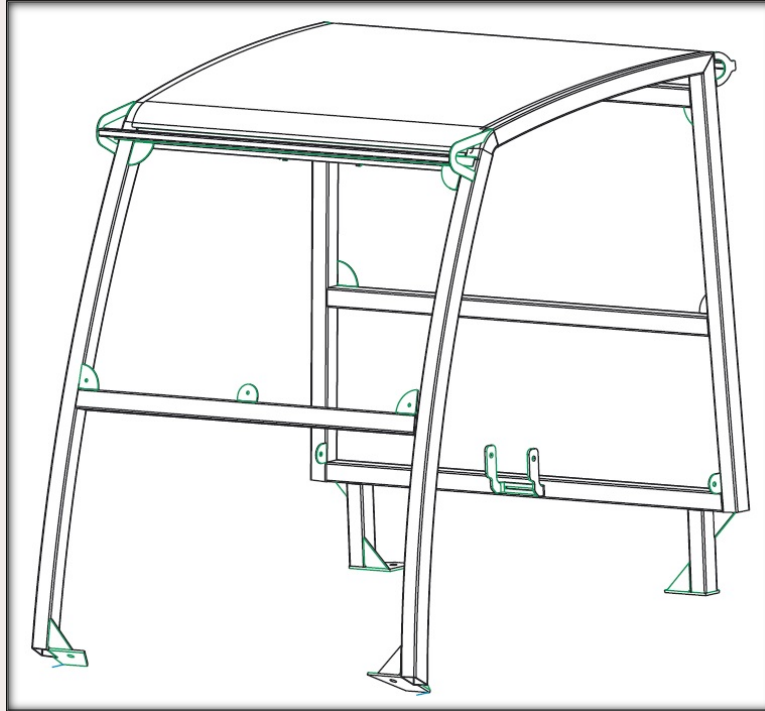
16. Use the provided zip ties to secure the harness to the sprayer.





## Toro MP5700 4-Post ROPS

\* Shown with optional Features \*



\* Operator must wear respirator when operating sprayer \*

### **Toro MP5700 4-Post ROPS**

**This ROPS is designed and built to fit the Toro MP5700 (2011 Update) and MP5800.**

**Designed and Built by:**

**Tektite Manufacturing Inc:**

**427 Buffalo Street**

**P.O. Box 639**

**Winkler, MB**

**R6W 4A8**

**Canada**

**PH: 204-331-3463**

**Fax: 204-331-4159**

**sales@tektite.ca**

**www.tektite.ca**

**One year standard product warranty provided by Tektite.**



Tektite Manufacturing Incorporated thanks you for purchasing a Toro MP5700 4-post ROPS! Tektite has worked very hard to design and build this ROPS product and we hope that it provides you with many years of ROPS protection.

Tektite's ROPS products are designed to provide safe and dependable service during operation when they are properly maintained according to the instructions. Please read this operator manual carefully before using this ROPS product.

The photos/illustrations provided in this manual may not provide all the detail needed, and are for reference only.

All directions provided are from the reference point of the sprayer seat facing the steering wheel. All left and right references are from this view point.

For reference, please fill in the information below. This will assist your dealer in providing service for this ROPS. It is advisable that this information be provided to your insurance company as well in the event that the tractor is lost or damaged.

**NOTE: Operator must wear full respirator when using spray vehicle.**

Vehicle Model: \_\_\_\_\_

ROPS Serial Number: \_\_\_\_\_

Date of Purchase: \_\_\_\_\_

Dealer Name: \_\_\_\_\_



## Tektite Limited Warranty

Tektite Manufacturing Inc. (“Tektite”) warrants to the original purchaser (the “Claimant”), that Tektite products will be free from defective materials or workmanship, under normal use and service, for a period of (1) full year from the original invoice date. Tektite’s liability under this Limited Warranty is limited to the repair or (at the discretion of Tektite) the replacement of those components of its products, which were manufactured by Tektite that are defective in materials or workmanship. Tektite shall have no liability under this Limited Warranty unless Tektite is notified of the defect during the stated Warranty Period.

Limitations and Exclusions: Tektite has no responsibility to a Claimant under this Limited Warranty or on any other basis for any of the following:

- a) defects caused, in whole or in part, by accident or misuse, negligence or failure to maintain the product or component;
- b) products or components sold to a customer on an “as is” basis;
- c) wiper blades, light bulbs, fuses, clear vinyl or other consumables;
- d) glass where the point of failure has not been preserved intact and delivered to Tektite for analysis of the cause of the failure;
- e) products or components which have been modified after shipping from Tektite to its customer;
- f) transportation charges for returned, repaired or replacement items;
- g) defects that are subject of a Tektite initiated recall where the Claimant fails to comply with the terms of the recall notice that comes to the attention of the Claimant;
- h) components of Tektite products that are manufactured by third parties (Tektite’s only obligation in relation to such components shall be to accord to the Claimant the benefit of any transferable warranty accorded to Tektite by third party manufacturer);
- i) defects in workmanship or materials in products or components that are repaired or replaced by Tektite unless Tektite is notified of the new defect within the Warranty Period that applied to the original product or component that has been repaired or replaced;
- j) defects that result, in whole or in part, from inadequate engineering or specifications provided to Tektite by its customer;
- k) any actual or alleged deficiency in technical or engineering services or advice provided by Tektite to its customer whether provided for valuable consideration or otherwise;
- l) consequential damages, or any other damages whether foreseeable or not, resulting from the defect or any delay in remedying the defect;
- m) any breach or alleged breach of any implied warranty of merchantability or fitness for particular purpose of use;
- n) defects or part failure due to misuse or failure to follow recommended cab installation procedures; and
- o) travel expenses, including mileage.

This Limited Warranty expresses the entire obligation of Tektite, its officers, directors, agents and employees, to its customer or any Claimant in respect of any defect in workmanship, or materials of any product or component sold or manufactured by Tektite whether on grounds of breach of contract, negligence or other tortious liability, breach of express or implied warranty or other basis in law of any jurisdiction.

Acceptance by a customer of delivery of products of Tektite constitutes acceptance of this Limited Warranty in lieu of all other warranties express or implied including without limitation all implied warranties of merchantability or fitness for particular purpose or use and constitutes acceptance by customer of the exclusions and limitations of the liability of Tektite set out above. Once received, the cab should have ALL exterior cardboard, Styrofoam wrapping removed for immediate inspection of product to ensure that no damages have occurred during transportation. Outer coverings should stay off the cab and the cab be stored indoors in a controlled environment. The warranty card must be completed and returned to Tektite.

---

Warranty claims should be reported to [parts@tektite.ca](mailto:parts@tektite.ca). A warranty claim form and instructions will be provided at this time. Warranty work not pre-authorized by Tektite may not be covered by this warranty agreement. Labor rate and time allowances are fixed by Tektite. Approved warranty claims will be issued in the form of credits applied to customer account.



## Safety Precautions

### *Safety First*

Read these instructions carefully. It is essential that you read the instructions and safety regulations before you attempt to assemble or use the features that are on this cab/ROPS.

**Danger:** Indicates an immediate hazardous situation which, if not avoided, will result in death or serious injury.

**Warning:** Indicates a potentially hazardous situation which, if not avoided, may result in death or serious injury.

**Caution:** Indicates a potentially hazardous situation which, if not avoided, may result in minor or moderate injury.

**Important:** Indicates that cab or property damage may result if instructions are not carefully followed.

**NOTE:** All products are designed to give safe, dependable service if they are operated and maintained according to instructions. It is the owner's responsibility to be certain anyone operating this product reads this manual, and all other applicable manuals, to become familiar with this cab and all safety precautions. Failure to do so could result in serious personal injury or cab damage. If you have any questions, consult your dealer. Read and understand this manual before operation.

**NOTE:** A safe operator is the best assurance against accidents. All operators, no matter how experienced they may be, should read this operator manual and all other related manuals before attempting to operate features in this cab/ROPS and operate the base tractor. Please read the following section and pay particular attention to all safety recommendations contained in this manual and those labelled on the cab and on the tractor.



## General Safety

1. Never let an unqualified or untrained driver operate the spray vehicle.
2. Keep a fire extinguisher, with ABC rating securely fastened in the ROPS. Maintain it and be familiar with its use.
3. Do not carry passengers.
4. Never operate the spray vehicle in a closed building for a prolonged period. Ensure adequate ventilation is present, as engine exhaust fumes are poisonous and can kill.
5. Always keep sleeves, jackets or other loose clothing relatively tight and belted. Loose clothing may catch on moving parts and result in severe personal injury or death.
6. Provide a first-aid kit, securely attached inside of the ROPS for use in case of accident.
7. Never jump from the spray vehicle. There is a danger of tripping or falling on protruding parts.
8. Use steps and hand holds when mounting and dismounting the spray vehicle, or for servicing components too high to reach from the ground.
9. When seated in the ROPS, fasten seat belt before starting the engine. A proper seat belt must be worn at all times when using a ROPS.
10. Safety devices and shields are intended to protect operators from injury or death. Under no circumstances should they be modified, disabled or removed.
11. Charcoal filter should be replaced once per season.
12. When operating spray vehicle, operator must wear respirator with cab.

## Operating Safety

1. Always operate the spray vehicle controls while sitting in the operator's seat.
2. Lock seat in position and buckle seat belt before operating the spray vehicle.
3. Avoid abrupt sharp turns at high speeds.
4. On sloped terrain, do not make sharp turns as machine stability could be compromised.
5. Operate the spray vehicle smoothly, avoid abrupt starts and stops.
6. Keep all shields in place when operating the spray vehicle.
7. Do not operate the spray vehicle when you are tired, sick, or impaired.
8. Never operate the spray vehicle in confined areas; visibility next to the tractor is reduced. Injury to bystanders or damage to the ROPS or equipment may result.

## Safety

Carefully review the procedures given in this manual and the spray vehicle operator's manual with all operators annually. It is important that all operators become familiar with, and follow safety precautions. Operating instructions must be given to everyone using the tractor before operation and at least once yearly thereafter in compliance with OSHA Regulations 1928.57 (United States).



### **Safe Operation on Rough Terrain**

1. Drive the spray vehicle slowly on hillsides and curves to eliminate the danger of tipping. Avoid slopes which are too steep for safe operation. Avoid sharp uphill turns.
2. Always drive slowly enough over rough ground or obstructions. Drive at speeds slow enough to ensure your safety.
3. When driving out of a ditch, gully, or up a steep hillside, engage the clutch slowly. Avoid sharp uphill turns.
4. When descending steep grades, select a sufficiently low gear to maintain control with minimum use of braking.
5. Use caution when driving near the edge of a ditch or gully. It may cave in, causing the spray vehicle to roll over.
6. Be alert when operating near trees, slopes and around obstructions. Tree branches can cause damage to ROPS components.

### **Maintenance Safety**

1. Remove mud, crop residue, chains, and tools from steps and operator's platform. They may interfere with pedal operation or entry/exit from spray vehicle.
2. When servicing components are too high to reach from the ground use steps and handholds. Do not use fenders or shields that are not designed as steps.

### **Safe Highway Operation**

1. Before operating the spray vehicle on, or near, public roadways check with your local authorities for any local regulations that will affect you.
2. Equip towed implements with slow moving vehicle (SMV) signs when traveling on public roads.
3. Install additional lights on implement rear to safeguard against rear end collisions.
4. Use hazard warning flashers as required by law when transporting or driving on public roads. If the spray vehicle had warning flashers removed when mounting the ROPS, they must be replaced prior to operation on public roads.
5. Keep to the right, yielding right-of-way traffic, especially if pulling implements. Pull off the road and stop to allow motorists to pass. Drive on the road shoulder, if permitted by law.
6. Use extreme caution when pulling heavy loads at road speeds. Avoid hard application of the spray vehicle brakes at high speed.
7. Always drive slowly near curbs, approaches or ditches.
8. If equipped, ensure headlights are aligned so they will not blind the operator's of oncoming vehicles. If the spray vehicle is not equipped with turn signals and law requires them, install them prior to operating on or near public roads.



9. Use your turn signals, checking for traffic well in advance of turning. If the spray vehicle is not equipped with turn signals and law requires them, install them prior to operating on or near public roads.

### **Safety Decals**

1. Keep decals clean. Remove dirt with a wet clean cloth when necessary.
2. Replace safety decals if destroyed, missing, painted over or unreadable. If any safety decals are covered or obscured when the ROPS is mounted, it is recommended that you purchase replacement decals from the spray vehicle manufacturer. Mount them in a readable location at, or near, their original location before operating the spray vehicle.
3. New ROPS decals and spray vehicle decals are available from your spray vehicle dealer.

### **ROPS Safety**

1. Install the ROPS in accordance with Tektite mounting instructions. Failure to do so may affect the ROPS ability to withstand a roll over.
2. If the ROPS is subjected to alteration, structural damage or involved in an over turn accident, the entire structure must be replaced. Failure to do so may result in injury or death in the event of a roll over.
3. If the spray vehicle is not equipped with seat belts, purchase approved seat belts from the spray vehicle manufacturer or Tektite prior to operating the spray vehicle.
4. Always fasten seat belts prior to operating the spray vehicle.
5. Always operate the spray vehicle from the operator's seat.
6. Remove mud, crop residue, chains and tools from steps and operator's platform. They may interfere with pedal operation or entry/exit from the spray vehicle.
7. Remove all loose chains, tools, and equipment from the operator's platform. Failure to do so may cause injury or death in the event of a roll over.
8. Do not install the ROPS on a spray vehicle model that the ROPS is not designated for (compatible spray vehicle designations are printed on the ROPS serial number plate). The ROPS is designed specifically for individual models to ensure ROPS requirements will be met. Installing the ROPS on a non designated spray vehicle may result in injury or death.

### **Emergency Exits**

This ROPS has 2 exits, which may be used in an emergency: left and right side doors.

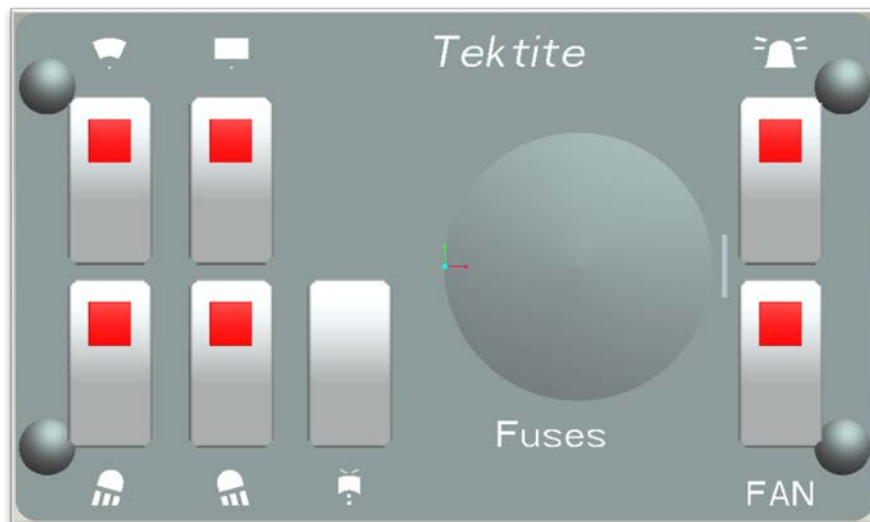


## Operating Instructions

### Important

The following section locates, identifies and briefly describes the functions of all cab controls. All operators should familiarize themselves with control location and function prior to operating the utility vehicle. Failure to do so may result in unsafe operation of the utility vehicle and possible injury or death to operators and bystanders.

There are two switch plates located in the headliner. The following switches are available and their functionality is described.



### Switch Plate

#### 1. Front Wiper Rocker Switch (optional)

Low position: Off

High position: On

Note: indicator light activates when wiper is on.

#### 2. Rear Wiper Rocker Switch (optional)

Low position: Off

High position: On

Note: indicator light activates when wiper is on.

#### 3. Front Work Light Rocker Switch (optional)

Low position: Off

High position: On

Note: indicator light activates when work lights are on.





**4. Rear Work Light Rocker Switch (optional)**

Low position: Off

High position: On

Note: indicator light activates when work light is on.

**5. Front and Rear Washer Rocker Switch (optional)**

Low position: Momentary – On Rear Washer

Middle position: Off

High position: Momentary – On Front Washer

**6. Beacon Rocker Switch (optional)**

Low position: Off

High position: On

Note: indicator light activates when beacon is on.

**7. Fan Rocker Switch (not available)**

Low position: Off

High position: On

Note: indicator light activates when 4-way flashers are on.

## **Cab Circuit Protection**

The Tektite ROPS cab is wired to provide maximum protection against accidental circuit overload. The cab electrical components are also fused individually, and the fuse block is located behind the switch plate, in the centre of the ROPS. Locate access door labelled Fuses, and remove for access to examine the fuses. A decal on the fuse block indicates which fuse is for which electrical option.



## **After your ROPS has been installed:**

Before starting a spray vehicle equipped with a Tektite ROPS:

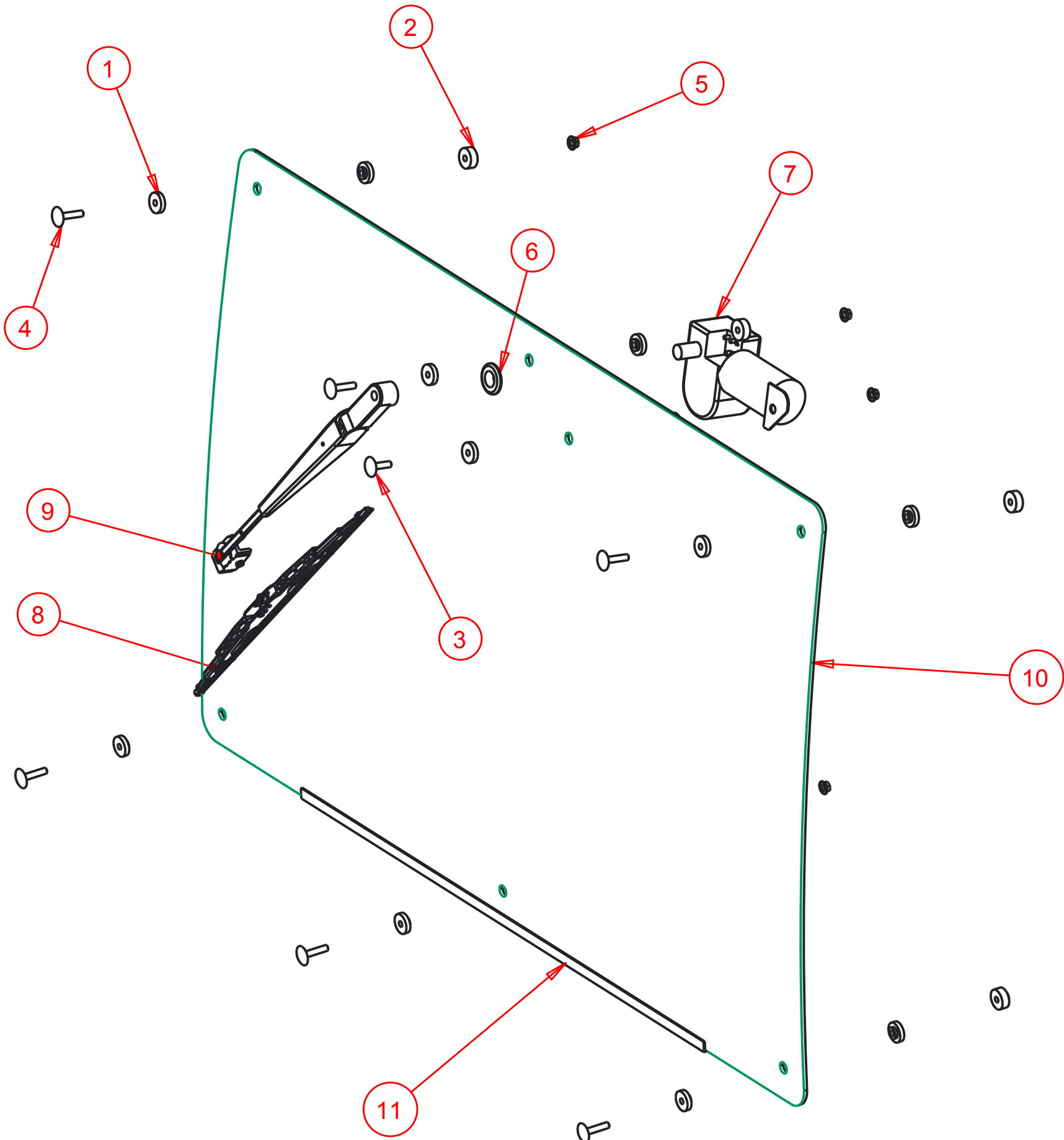
1. Clear the operator platform of all tools. Tools left in or around the ROPS and spray vehicle can cause operator interference which could lead to bodily injury and/or damage the machine.
2. Inspect the ROPS and spray vehicle to ensure all bolts are tight and re-tighten if required.
3. Ensure that all pedals, levers, and controls have adequate clearance for normal operation.
4. Ensure that all electrical components of both the ROPS and spray vehicle operate normally.
5. Ensure your door latches properly onto the striker pin. Immediately after installation, the ROPS frame may flex slightly from installation, and the door latch will need to be re-aligned for proper operation. Loosen the striker pin, striker mounting plate and door latch as necessary to get a proper alignment of the door striker.

## **Service Parts Breakdowns:**

Following are parts breakdowns for components that may require service parts replacement during the life of the ROPS. If you require replacement parts, please contact the dealer that you purchased the ROPS from and indicate which parts you require.



Index	Service Part #	File Name	Description	Qty
1	A00-0013	TEKT-0009	5MM Bushing	14
2	A00-0014	THICK-BUSHING	8MM Bushing	6
3	A00-0019	STEP-BOLT1-4X1	Step Bolt, 1/4" x 1", MB	1
4	A00-0020	STEP-BOLT1-4X1-1-4	Step Bolt, 1/4" x 1 1/4", MB	6
5	A00-0021	FLANGE-NUT-1-4	Flange Nut, 1/4", YD	7
6	A00-0033	315-080	Rear Wiper Shaft Grommet	1
7	A00-0043	WWF-MOTOR	WWF Wiper Motor, 1" Shaft	1
8	A00-0109	302-1160_BLADE	Wiper Blade, 16", Narrow Saddle	1
9	A00-0316	TEKT-ASM-052	WWF, Adjustable Radial Arm, 14" Length	1
10	T06-0007	TO5700-045	Front Window	1
11	T06-0009	TO5700-078	Front Glass Weatherstripping	1



**Tektite Manufacturing Inc.**  
24157 Hwy 3, Box 639, Winkler MB, R6W 4A8, Canada

**Notice of Confidentiality**

This material is property of Tektite Manufacturing Inc and is not to be used by the recipient for any purpose other than the purpose for which it was transmitted. The material remains the property of Tektite and shall be returned upon request. The material may not be reproduced or disclosed to third parties without the written consent of Tektite.

**Tolerances:**

Unless otherwise specified

X.X = ± 1/16"  
Angular = ± 1.0°

Req'd:		CNC:		Description: <b>Windshield Assembly</b>	
Drawn By: <i>Daryl Furkalo</i>		Date: 2014-10-01		Units: <b>Imp.</b>	File Name: TO5700-ASM-015_OP
Checked By:		Date:		Size: <b>B</b>	